



PRODUCT CATALOG

*Committed to becoming a leader
in the field of audio and video communication*

16
YEARS

Independent Research and Development

Localized Audio and Video Technology

For 16 years since its establishment, Rocware has adhered to independent research, development and innovation, continuously invested in improvement, and fully mastered the core algorithm technology in the field of audio and video. The entire product line is independently controllable, safe, reliable, and highly competitive.



Own Factory

Complete Self-owned Supply Chain

Rocware has its own factory, it can independently complete part of the mold design and manufacturing, CNC processing, plastic injection molding and other basic material production. It also has an internationally advanced high-speed double-sided PCB SMT line, precision equipment assembly and testing line, to ensure product quality and stable supply.



+1-800-416-1895

Well-developed After-sales Support System

Rocware has set up five major marketing centers around the world, with more than 30 after-sales service outlets. It provides 7*12 hour customer service telephone support, as well as various online and offline technical support and after-sales services to comprehensively ensure the user experience.

ROCWARE CORPORATION

Email: info@rocware.com Service Telephone: +1-800-416-1895 Website: www.rocware.com
Address: 3-1, No.2 Honghui Industrial Park, Xin'an Street, Bao'an District, Shenzhen, China



Website

2024.04

01 COMPANY PROFILE

- Company Profile 6-7

02 SOLUTIONS

- Cloud Video Conferencing Solutions 8-9
- Smart Classroom Solutions 10-11

03 PRODUCTS

- **Cameras**
 - RC841U 12-13
 - RC821U 14-15
 - RC721U-I 16-17
 - RC721U 18-19
 - RC20 20-21
 - RC310 22-23
 - RC17 / RC18 24-25
 - RC13 26-27
 - RC15 28-29
 - RC16 30-31
 - RC19 32-33
 - RC031 34-35
 - RC051 36-37
 - RC10 38-39
 - RC08 40-41
- **Microphones**
 - RM702 42-43
 - A10 / A10W 44-45
 - M300 46-47
 - RM10 48-49
 - RM80 50-51
- **Others**
 - RP1 / RP1S 52-53
 - RP3 54-55
 - RT10 56-57
 - RT13 58-59
 - S22 60-61

COMPANY INTRODUCTION

ROCWARE® is one of the world's leading audio and video technology companies. With a history of 15 years, the company has been dedicated to independent research and development of audio and video technology and equipment. Our product lineup includes PTZ cameras, USB webcams, video conferencing terminals, and microphones. We have also mastered the core algorithm technologies in the field of audio and video, enabling us to provide secure, reliable, and highly competitive audio and video products and industry solutions to customers across various industries worldwide.

Our products cater to the needs of multiple industries, including video conferencing, education, healthcare, and live streaming. They are compatible with major conference platforms such as Skype, Teams, and Zoom. Our mission is to help customers achieve remote meeting communication and collaboration more easily by offering high-quality products at competitive prices.

ROCWARE® works closely with customers from over 50 countries worldwide, and our solutions have gained wide recognition and trust. Whether it's improving work efficiency or enhancing remote collaboration, ROCWARE® is committed to helping customers achieve their goals.

Core Audiovisual Technology



Image Signal Process

AWB, AE, AF, Video Coding



Audio 3A Algorithm

Acoustic Echo Cancelling(AEC); Automatic Gain Control(AGC)
Automatic Noise Suppression(ANS)



AI Audio-Visual Algorithms

- Auto Framing by AI Technology; Speaker Tracking; Automatic Program Direct; Automatic Generate Whiteboard Video Stream
- Noise Reduction by AI Technology; Sound Source Localization; Reverberation Elimination by AI Technology

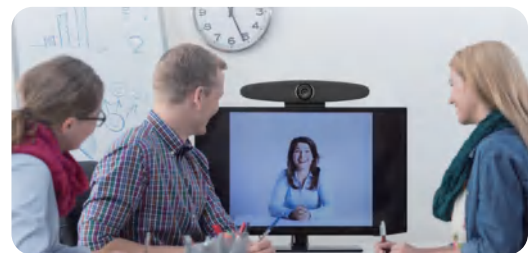
Cloud Video Conferencing Solutions

This solution addresses the problems of multiple devices, complex wiring and high maintenance difficulties in traditional video conferencing scenarios. It can be flexibly adapted to different meeting spaces of enterprises. Whether it's small, medium, or large conference rooms, a "good sound quality and clear video" video conferencing experience can be achieved through simple deployment, unleashing the digital vitality of the enterprise.



▼ Easy Deployment

Plug and Play. The unique all-in-one design lets you get excellent audio-visual effects in video communications through simple deployment. Match a straightforward and powerful solution for your own spaces.



▼ Make Remote Communication Face to Face

The solution incorporates Rocware®'s proprietary AI audio and video algorithm technology. Providing a clear and natural meeting experience for remote workers. Bringing remote participants to the conversation.

Comprehensive coverage of conference room spaces



Huddle Room

☺☺☺ <8 People

- Three-in-one design reduces wiring
- Integrates AI algorithms for excellent audiovisual experience
- One-click control for meeting
- Compatible with all video conferencing software

Midsize Meeting Room

☺☺☺ 8-15 People

- All devices are self-developed and produced, with stable quality
- Large 12x optical zoom with wide angle
- World-class AI audio algorithms
- Compatible with all video conferencing software

Large Meeting Room

☺☺☺ 15-30 People

- All devices are self-developed and produced, with stable quality
- 4K Camera, Large 12x optical zoom with wide angle
- World-class AI audio algorithms
- Stereophonic sound effect, broadcast-grade audiovisual experience
- Compatible with all video conferencing software


| | ▼ Huddle Room | ▼ Midsize Meeting Room | ▼ Large Meeting Room |
|---------------------------|--|---|---|
| Solution Component | | | |
| Room Size | <30 m ² (320sqf) | <60 m ² (640sqf) | <120 m ² (1290sqf) |
| Conference Camera | RC10 All-in-One USB Video Bar | RC821U Full HD Video Conferencing PTZ Camera | RC841U 4K Video Conferencing PTZ Camera |
| Maximum Output Resolution | 4K@30fps | 1080P@60fps | 4K@30fps |
| Zoom Ratio | 5×Digital Zoom | 12×Optical Zoom 16×Digital Zoom | 12×Optical Zoom 16×Digital Zoom |
| Conference Microphone | RC10 All-in-One USB Video Bar | A10 Smart Conference Speakerphone | RM702 Cascading Omnidirectional Digital Array Microphone |
| Expansion Mic | Support | Support | Support |
| Number of Expansion Mic | 1 | 2 | 6 |
| Pickup Distance | 6m | Primary-Mic: Radius 5m Expansion Mics: Radius 3m | Radius 3m |
| Conference Speaker | Built-in RC10 | Built-in A10 | S22 Hi-Fi Speaker |
| Operating System | Rooms Client(Zoom Rooms) (Based on Windows) | Rooms Client(Zoom Rooms) (Based on Windows) | Rooms Client(Zoom Rooms) (Based on Windows) |
| Conferencing Endpoint | RP3 Video Conferencing PC (Windows) | RP3 Video Conferencing PC (Windows) | RP1S Video Conferencing PC (Windows) |
| Packing List | RC10 RT10 RP3 Power Adapter USB Cable HDMI Cable CAT Cable Remote Controller Lens Cap Specification | RC821U A10 RT10 RP3 Power Adapter USB Cable HDMI Cable CAT Cable Remote Controller Lens Cap Specification | RC841U RM702 S22 RT10 RP1S Power Adapter USB Cable HDMI Cable CAT Cable Remote Controller Lens Cap Specification |
| Optional Accessories | 5m USB Cable 10m USB Cable TV Mounting Bracket | 5m USB Cable 10m USB Cable TV Mounting Bracket | 5m USB Cable 10m USB Cable TV Mounting Bracket Ceiling Mounting Bracket |
| Warranty | 3-Year Limited Hardware Warranty | | |

Smart Classroom Solutions

Rocware® has developed a series of solutions for the education industry, covering blended learning, educational recording, broadcasting and seamless sound reinforcement. These solutions incorporate AI audiovisual technology innovation and product research and development capabilities, bringing more convenient operational management and more intelligent educational audiovisual experiences. They allow teachers to teach without burden and students to learn more easily, sparking new vitality in school teaching.

▼ Interactive teaching solution based on public cloud






This solution is specifically designed to meet the requirements of remote interactive teaching. It is based on a public cloud design, which results in lower installation costs. The solution mainly consists of 2 smart cameras and 1 digital microphone. It features a simple wiring setup and does not require additional independent control panels, live streaming, or recording devices. With this setup, an intelligent classroom environment can be easily established to facilitate interactive teaching.

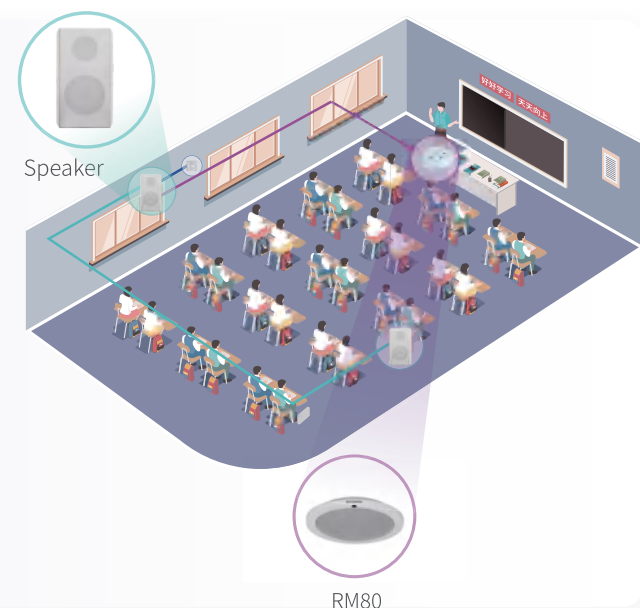
- 
Live Classroom
- 
Interactive Teaching
- 
AI Director
- 
Smart Whiteboard
- 
Supervision and Inspection



▼ A hands-free sound reinforcement system for teaching

Designed specifically to meet the need for uniform sound amplification during teaching, this solution consists of an omnidirectional sound reinforcement microphone RM80 and an additional speaker, both independently developed by Rocware®. It can be used by simply connecting the microphone and the speaker. The latency between sound capture and amplification is less than 18ms. Teachers are not required to wear or hold any microphone devices, allowing them to focus on teaching. Students can hear the teacher's voice clearly and easily from any location in the classroom.

- 
Plug and Play
- 
360° Omnidirectional Pickup
- 
AI Noise Reduction
- 
Low-Latency
- 
Infrared Remote Control



Live Streaming



Educational Recording



Laboratory Training



Teaching Research



Administrative Management

4K Video Conferencing PTZ Camera

PTZ Camera Pro (RC841U)



4K 30fps

80.8°
Wide Angle12x
Optical ZoomAuto Framing with
AI TechnologyHumanoid
Tracking

RC841U is an UHD video conferencing camera designed specifically for medium to large-sized conference rooms. It features the latest generation 1/2.8-inch 4K CMOS sensor from SONY, enabling a resolution of 3840x2160 for incredibly high image quality. It delivers a more detailed and lifelike video conferencing experience.



FEATURES

▼ 4K VIDEO QUALITY

Equipped with the new generation 4K CMOS sensor from SONY with a maximum pixel count of 8 million, this camera can achieve ultra-high resolution video images of 4K (3840x2160), meeting the high image quality requirements of various conference rooms.

▼ 12X OPTICAL ZOOM

Equipped with an 80.8° wide-angle lens, this camera features 12x optical zoom and 16x digital zoom, enabling clear capture of details both near and far in the conference room with no distortion at the edges of the image.

▼ AI TRACKING

This camera is equipped with built-in video AI algorithms that can recognize the positions of participants in the conference room and automatically adjust the camera angle to obtain the best composition and framing of the image. It can also be set to track and follow a specific subject as they move during the conference.

▼ COMPATIBLE WITH POPULAR CONFERENCING SOFTWARE

This camera is compatible with popular video conferencing software systems, including Microsoft Teams, Zoom, Cisco WebEx and more, making it easy to connect and start a meeting.

▼ ULTRA-HIGH SIGNAL-TO-NOISE RATIO

Equipped with an ultra-high signal-to-noise ratio CMOS image sensor, this camera effectively reduces image noise in low-light conditions. At the same time, it applies 2D and 3D noise reduction algorithms to maintain a clean and clear image in ultra-low light conditions, with a signal-to-noise ratio of over 55dB.

▼ SILENT MECHANICAL PTZ

Equipped with a silent mechanical PTZ, this camera has a ±170° horizontal rotation range and a -30°~+90° vertical rotation range, fully covering the entire conference room space and leaving no blind spots, even in corner positions.

▼ COMPATIBLE WITH MULTIPLE TERMINALS

This camera supports HDMI, USB3.0, and network interfaces to simultaneously output 4K UHD video streams, making it compatible with various conference terminals that have different interface requirements.

SPECIFICATIONS

▼ CAMERA

| | |
|---------------------------|---|
| Video Resolution | HDMI: 4KP30, 4KP25, 1080P30, 1080P25 |
| Sensor | 1/2.8", CMOS, 8.51 Megapixels |
| Scanning Mode | Progressive |
| Lens | 12x, f=3.47mm ~ 41.65mm, F1.84 ~ F3.72 |
| Digital Zoom | 16x |
| Minimum Illuminance | 0.5Lux @ (F1.8, AGC ON) |
| Shutter | 1/30s ~ 1/10000s |
| White Balance | Auto, Indoor, Outdoor, One Push, Manual |
| Backlight Compensation | Support |
| Digital Noise Reduction | 2D&3D Digital Noise Reduction |
| Video S/N | ≥55dB |
| Horizontal Angle of View | 80.8° ~ 7.5° |
| Vertical Angle of View | 49.9° ~ 4.3° |
| Horizontal Rotation Range | ±170° |
| Vertical Rotation Range | -30° ~ +90° |
| Pan Speed Range | 2.7° ~ 35.7°/s |
| Tilt Speed Range | 2.7° ~ 31.5°/s |
| H & V Flip | Support |
| Image Freeze | Support |
| Number of Preset | 255 |
| Preset Accuracy | 0.1° |

▼ IPC FEATURES

| | |
|------------------------|--|
| Video Compression | H.265 / H.264 / MJPEG |
| Video Stream | Main Stream, Sub Stream |
| Main Stream Resolution | 3840x2160, 1920x1080, 1280x720, 1024x576, 960x540, 640x480, 640x360 |
| Sub Stream Resolution | 1920x1080, 1280x720, 1024x576, 720x576, 720x480, 720x408, 640x360, 480x270, 320x240, 320x180 |
| Video Bit Rate | 32Kbps ~ 102400Kbps |
| Bit Rate Type | Variable Rate, Fixed Rate |
| Frame Rate | 50Hz: 1fps ~ 25fps, 60Hz: 1fps ~ 30fps |
| Audio Compression | AAC |
| Audio Bit Rate | 96Kbps, 128Kbps, 256Kbps |
| Support Protocols | TCP/IP, HTTP, RTSP, RTMP, Onvif, DHCP, Multicast, etc |

▼ USB FEATURES

| | |
|----------------------------------|---|
| Operating System | Windows 7, Windows 8, Windows 10, Mac OS X, Linux, Android |
| Color System / Compression | YUY2 / MJPEG / H.264 |
| Video Format | YUY2 (Isochronous): Max 1080P30; MJPEG: Max 2160P30; H.264 AVC: Max 2160P30; H.264 SVC: Max 2160P30 |
| USB Audio | Support |
| USB Video Communication Protocol | UVC 1.1~1.5 |
| UVC PTZ Control | Support |

▼ GENERAL SPECIFICATION

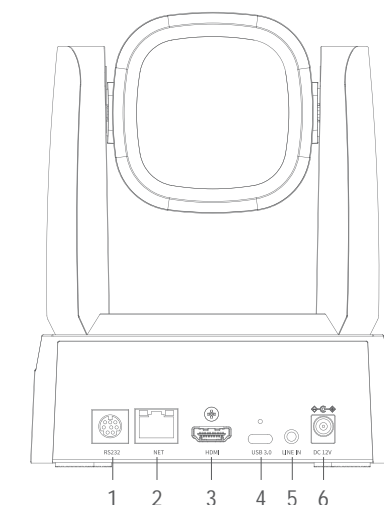
| | |
|-----------------------|-----------------------------------|
| Input Voltage | DC 12V / PoE (802.3af) |
| Input Current | 12V 1.0A (Max) |
| Operating Temperature | -10°C ~ 40°C |
| Storage Temperature | -40°C ~ 60°C |
| Power Consumption | 12W (Max) |
| MTBF | >30000H |
| Dimension | 142mm (W) × 152mm (D) × 177mm (H) |
| Weight | 1.56kg |

▼ INPUT / OUTPUT INTERFACE

| | |
|-------------------------|---|
| USB Interface | 1x USB 3.0, Type-C Jack |
| HDMI Output Interface | 1x HDMI 1.4b |
| Network Interface | 1x RJ45: 10M/100M Adaptive Ethernet |
| Audio Interface | 1x Line In, 3.5mm Audio Interface |
| Communication Interface | 1x RS232 In: 8pin Min DIN, Max Distance: 30m, Protocol: VISCA/Pelco-D/Pelco-P |
| Power Jack | JEITA type (DC IN 12V) / PoE |

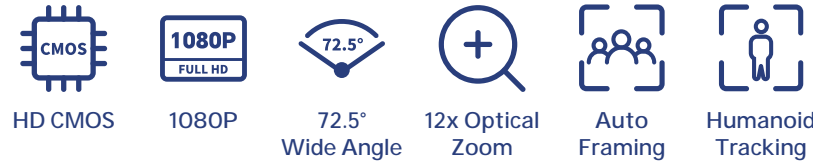
INTERFACE

- 1 — RS232 Interface
- 2 — NET Interface
- 3 — HDMI Interface
- 4 — USB3.0 Interface
- 5 — LINE IN Interface
- 6 — DC 12V Power Jack



1080P Video Conferencing PTZ Camera

PTZ Camera (RC821U)



A Full HD video conferencing camera designed specifically for medium to large conference scenarios, featuring a brand-new generation of HD CMOS high-quality sensors that deliver 1920x1080 resolution image quality and output frame rates of up to 60fps, providing a more refined and smooth video conferencing experience.



FEATURES

▼ HD IMAGE QUALITY

Equipped with HD CMOS image sensor, it can deliver high-quality images with a maximum resolution of 1920x1080. At 1080P, the output frame rate can reach up to 60fps, providing clear and smooth image quality.

▼ 12X OPTICAL ZOOM

Featuring a 72.5° wide-angle lens and 12x optical zoom, it can capture clear images even from a distance. Equipped with a mechanical gimbal, it can achieve a ±170° horizontal rotation and a -30°~+90° vertical rotation, ensuring no blind spots in the conference room.

▼ EASY WIRING

Supporting PoE power supply, only one network cable is needed to connect for control, power supply, video, and audio, making wiring simple and convenient.

▼ Video Algorithms by AI Technology

Incorporating built-in video AI algorithms, it can identify the positions of meeting participants, automatically adjusting the camera angle for the best composition. You can also choose a target for filming, and the camera will automatically track and follow the subject as they move.

▼ COMPATIBLE WITH POPULAR CONFERENCE SOFTWARE

The camera is compatible with popular video conferencing software, including Microsoft Teams, Zoom, Cisco, WebEx and more. Simply connect the camera and start the meeting.

▼ FLEXIBLE INSTALLATION

The camera supports various installation methods such as hanging, wall mounting, mounting, desktop installation, and tripod installation, providing flexibility to meet the needs of different conference settings.

SPECIFICATIONS

▼ CAMERA

| | |
|---------------------------|--|
| Video Resolution | 1080P60, 1080P50, 1080P30, 1080P25, 720P60, 720P50 |
| Sensor | 1/2.8", CMOS, 2.07 Megapixels |
| Scanning Mode | Progressive |
| Lens | 12x, f3.5mm ~ 42.3mm, F1.8 ~ F2.8 |
| Digital Zoom | 16x |
| Minimal Illumination | 0.5Lux @ (F1.8, AGC ON) |
| Shutter | 1/30s ~ 1/10000s |
| White Balance | Auto, Indoor, Outdoor, One Push, Manual |
| Backlight Compensation | Support |
| Digital Noise Reduction | 2D&3D Digital Noise Reduction |
| Video S/N | ≥55dB |
| Horizontal Angle of View | 72.5° ~ 6.9° |
| Vertical Angle of View | 44.8° ~ 3.9° |
| Horizontal Rotation Range | ±170° |
| Vertical Rotation Range | -30° ~ +90° |
| Pan Speed Range | 2.7° ~ 35.7°/s |
| Tilt Speed Range | 2.7° ~ 31.5°/s |
| H & V Flip | Support |
| Image Freeze | Support |
| Number of Preset | 255 |
| Preset Accuracy | 0.1° |

▼ INPUT / OUTPUT INTERFACE

| | |
|-------------------------|---|
| USB Interface | 1x USB 3.0 , Type-C Jack |
| HDMI Output Interface | 1x HDMI 1.3a |
| Network Interface | 1x RJ45: 10M/100M Adaptive Ethernet |
| Audio Interface | 1x Line In, 3.5mm Audio Interface |
| Communication Interface | 1x RS232 In: 8pin Min DIN, Max Distance: 30m, Protocol: VISCA/Pelco-D/Pelco-P |
| Power Jack | JEITA type (DC IN 12V) / PoE |

▼ IPC FEATURES

| | |
|------------------------|--|
| Video Compression | H.264 / MJPEG |
| Video Stream | Main Stream, Sub Stream |
| Main Stream Resolution | 1920x1080,1280x720,1024x576,960x540, 640x480,640x360 |
| Sub Stream Resolution | 1280x720,1024x576,720x480,720x408, 640x360,480x272,320x240,320x180 |
| Video Bit Rate | 32Kbps ~ 102400Kbps |
| Bit Rate Type | Variable Rate, Fixed Rate |
| Frame Rate | 50Hz: 1fps ~ 50fps, 60Hz: 1fps ~ 60fps |
| Audio Compression | AAC |
| Audio Bit Rate | 96Kbps, 128Kbps, 256Kbps |
| Support Protocols | TCP/IP, HTTP, RTSP, RTMP, Onvif, DHCP, Multicast, etc |

▼ USB FEATURES

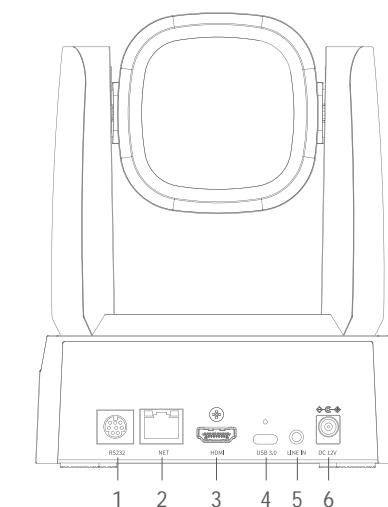
| | |
|----------------------------------|---|
| Operating System | Windows 7, Windows 8, Windows 10, Mac OS X, Linux, Android |
| Color System /Compression | YUY2 / H.264 / MJPEG |
| Video Format | YUY2: Max 1080P60; H.264 AVC: Max 1080P60; MJPEG: Max 1080P60 |
| USB Audio | Support |
| USB Video Communication Protocol | UVC 1.1 |
| UVC PTZ Control | Support |

▼ GENERAL SPECIFICATION

| | |
|-----------------------|-----------------------------------|
| Input Voltage | DC 12V / PoE (802.3af) |
| Input Current | 12V 1.0A (Max) |
| Operating Temperature | -10°C ~ 40°C |
| Storage Temperature | -40°C ~ 60°C |
| Power Consumption | 12W (Max) |
| MTBF | >30000H |
| Dimension | 142mm (W) × 152mm (D) × 177mm (H) |
| Weight | 1.45kg |

INTERFACE

- 1 — RS232 Interface
- 2 — NET Interface
- 3 — HDMI Interface
- 4 — USB3.0 Interface
- 5 — LINE IN interface
- 6 — DC 12V Power Jack



Full HD Live Streaming PTZ Camera

RC721U-I



1080P USB PTZ Camera, designed for live streaming, support portrait, landscape mode and real time beauty-filter. Smart auto focus and light management technology, plug and play, provide high quality video experiences for end users.



FEATURES

▼ 1080P

Use a high-quality 1/2.8 inches FHD CMOS sensor with 2.07 million pixels. Support max 1080P30fps image output and multiple lower resolutions like 720p.

▼ 72.5° WIDE-ANGLE LENS + 12×OPTICAL ZOOM

1080P optical lens, support max 12× optical zoom and 72.5° horizontal field of view. support 16 times digital zoom.

▼ REMOTE CONTROL

By using RS232, the camera can be controlled.

▼ FULL FUNCTION USB INTERFACE

Full-function USB interface, compatible with USB3.0, USB2.0, supports UVC 1.1 protocols, supports video original images and encoding image output.

▼ TOF

The TOF module assists in focusing, allowing the lens to focus quickly, accurately, and stably.

▼ LOW ILLUMINATION

The new generation high performance CMOS image sensor can significantly reduce the image noise in low illumination. With the 2D and 3D noise reduction algorithms, even in an ultra-low illumination environment, camera can still deliver a sharp and clean image with more than 55dB S/N ratio.

▼ MICROPHONE¹

The built-in microphone, the pick-up distance is 6 meters long, high sensitivity, low-bottomed noise.

▼ VERTICAL SCREEN OUTPUT

Support vertical screen output mode.

▼ MULTIPLE INTERFACES

Support HDMI, USB3.0 streaming simultaneously.

Remark: 1. This feature is optional.

SPECIFICATIONS

▼ CAMERA

| | |
|----------------------------|---|
| Signal System | 1080P60, 1080P50, 1080P30, 1080P25, 720P60, 720P50 |
| Sensor | 1/2.8 inches, CMOS, Effective Pixels: 2.07 Megapixels |
| Scanning Mode | Progressive |
| Optical Zoom | 12x |
| Digital Zoom | 16x |
| Minimum Illumination | 0.5Lux @ (F1.8, AGC ON) |
| Shutter | 1/30s ~ 1/10000s |
| White Balance | Auto, Indoor, Outdoor, One Push, Manual, VAR |
| Backlight Compensation | Support |
| Digital Noise Reduction | 2D&3D Digital Noise Reduction |
| SNR | ≥55dB |
| Horizontal FOV | 72.5° ~ 6.9° |
| Vertical FOV | 44.8° ~ 3.9° |
| Pan Angle | ±170° |
| Tilt Angle | ±30° |
| Pan Speed | 1.61° ~ 75.56° /s |
| Tilt Speed | 0.44° ~ 15° /s |
| Image Flip | Support |
| Image Freeze | Support |
| Preset Position | 255 |
| Preset Accuracy | 0.1° |
| Built-in Microphone | Optional |
| Microphone Pickup Distance | 6m |

▼ USB SPEC

| | |
|----------------------------------|--|
| Operating System Supported | Windows 7, Windows 8, Windows 10, Mac OS X, Linux, Android |
| Color System /Compression | YUY2 / MJPEG |
| USB Audio | Support |
| USB Video Communication Protocol | UVC 1.1 |
| UVC PTZ Control | Support |

▼ INPUT / OUTPUT INTERFACE

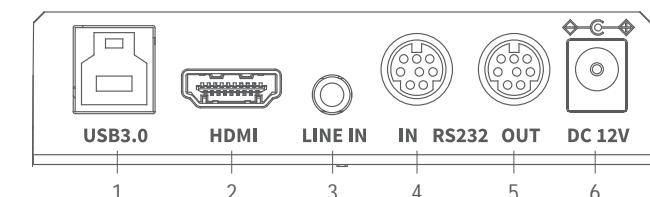
| | |
|-------------------|---|
| USB Interface | 1x USB 3.0, Type-B |
| HDMI Interface | 1x HDMI 1.4b |
| Audio Interface | 1x Line In, 3.5mm Jack |
| Control Interface | 1x RS232 In: 8pin Min DIN, Max Distance: 30m, Protocol: VISCA/Pelco-D/Pelco-P; 1 × RS232 OUT: 8pin Mini DIN, Max Distance: 30m, Protocol: VISCA only |
| Power Interface | JEITA Type (DC IN 12V) |

▼ GENERAL SPEC

| | |
|-----------------------|---------------------------------------|
| Input Voltage | DC 12V |
| Input Current | 12V 1.0A |
| Operating Temperature | -10°C ~ 40°C |
| Storage Temperature | -40°C ~ 60°C |
| Power Consumption | 12W |
| MTBF | >30000H |
| Dimension | 118mm (W) × 129.2mm (D) × 157.3mm (H) |
| Weight | 0.9kg |

INTERFACE

- 1 — USB3.0 Interface
- 2 — HDMI Interface
- 3 — LINE IN Interface
- 4 — RS232 IN Interface
- 5 — RS232 OUT Interface
- 6 — DC 12V Power Jack



CAMERAS

1080P Video Conferencing PTZ Camera

RC721U



1080P



72.5°
Wide Angle



12x
Optical Zoom



Built-in Mic



Full-function USB

RC721U features a 72.5-degree wide-angle 12x optical zoom lens and is equipped with an electric mechanical cloud platform, allowing for a ±170-degree horizontal rotation and ±30-degree vertical movement, easily covering any position in the meeting room and providing 1080P full HD picture quality. You can choose whether to include a built-in microphone, with a pick-up distance of 6m to meet your daily conference communication needs.



FEATURES

▼ 1080P FULL HD

RC721U utilizes a new generation of Panasonic 1/2.8-inch, 2.07 Megapixels HD CMOS sensor, with an image resolution of up to 1920x1080, and a frame rate of up to 60fps output in 1080P.

▼ 72.5° WIDE-ANGLE LENS & 12X OPTICAL ZOOM

The camera features a high-quality, high-resolution Full HD lens with a maximum horizontal viewing angle of 72.5 degrees, and supports 12x optical zoom, allowing for clear capture even at a distance.

▼ ELECTRIC MECHANICAL CLOUD PLATFORM

It comes with a built-in self-developed electric mechanical cloud platform, with a horizontal rotation range of ±170 degrees and a rotation speed range of 1.61° to 75.56°/s. The vertical rotation range is -30° to 90°, with a rotation speed range of 0.44° to 15°/s.

▼ FULL-FUNCTION USB

With a full-function USB interface, it is compatible with USB 3.0 and USB 2.0, supporting audio, encoding output and the UVC 1.1 protocol.

▼ ULTRA-HIGH SIGNAL-TO-NOISE RATIO

Equipped with a high signal-to-noise ratio CMOS image sensor, it effectively reduces image noise in low-light conditions. At the same time, it utilizes 2D and 3D noise reduction algorithms to maintain a clean and clear image in low light, with an image signal-to-noise ratio of over 55dB.

▼ BUILT-IN MICROPHONE

You can choose to include a built-in digital microphone with a pick-up distance of up to 6m, high pick-up sensitivity, low background noise and clear sound quality.

▼ USB VIDEO OUTPUT

Supports USB 3.0 and HDMI¹ output of HD video streams, enabling direct use with commercial displays, computer peripherals and other devices.

▼ REMOTE CONTROL

The camera supports RS232 serial port for remote control.

SPECIFICATIONS

▼ CAMERA

| | |
|---------------------------|---|
| Video Resolution | 1080P60, 1080P50, 1080P30, 1080P25, 720P60, 720P50 |
| Sensor | 1/2.8", CMOS, 2.07 Megapixels |
| Scanning Mode | Progressive |
| Lens | 12x, f3.5mm ~ 42.3mm, F1.8 ~ F2.8 |
| Digital Zoom | 16x |
| Minimal Illumination | 0.5Lux @ (F1.8, AGC ON) |
| Shutter | 1/30s ~ 1/10000s |
| White Balance | Auto, Indoor, Outdoor, One Push, Manual, Adjustable color temperature |
| Backlight Compensation | Support |
| Digital Noise Reduction | 2D&3D Digital Noise Reduction |
| Video S/N | ≥55dB |
| Horizontal Angle of View | 72.5° ~ 6.9° |
| Vertical Angle of View | 44.8° ~ 3.9° |
| Horizontal Rotation Range | ±170° |
| Vertical Rotation Range | ±30° |
| Pan Speed Range | 1.61° ~ 75.56°/s |
| Tilt Speed Range | 0.44° ~ 15°/s |
| H & V Flip | Support |
| Image Freeze | Support |
| Number of Preset | 255 |
| Preset Accuracy | 0.1° |
| Built-in Mic | Optional |
| Pickup Distance | 6m |

▼ INPUT / OUTPUT INTERFACE

| | |
|-----------------|--|
| USB | 1x USB 3.0, Type-B Jack |
| HDMI Output | 1x HDMI 1.3a |
| Audio Interface | 1x Line In, 3.5mm Audio Interface |
| Network | 1x RS232 In: 8pin Min DIN, Max Distance: 30m, Protocol: VISCA/Pelco-D/Pelco-P; 1x RS232 Out: 8pin Min DIN, Max Distance: 30m, VISCA Agreement |
| Power Jack | JEITA Type (DC IN 12V) |

▼ USB FEATURES

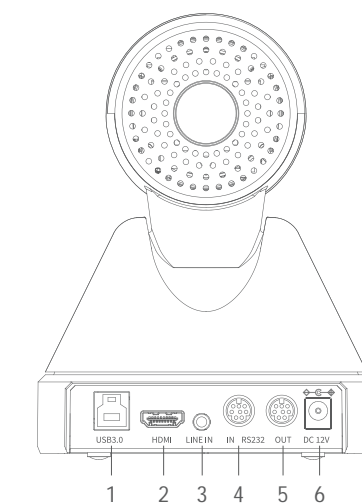
| | |
|----------------------------------|--|
| Operating System | Windows 7, Windows 8, Windows 10, Mac OS X, Linux, Android |
| Color System /Compression | YUY2 / H.264 / MJPEG |
| Video Format | YUY2 (Isochronous): Max 1080P60; H.264 AVC: Max 1080P60; H.264 SVC: Max 1080P60; MJPEG: Max 1080P60 |
| USB Audio | Support |
| USB Video Communication Protocol | UVC 1.1 |
| UVC PTZ Control | Support |

▼ GENERAL SPECIFICATION

| | |
|-----------------------|----------------------------------|
| Input Voltage | DC 12V |
| Input Current | DC 12V / 1A(MAX) |
| Operating Temperature | -10°C ~ 40°C |
| Storage Temperature | -40°C ~ 60°C |
| Power Consumption | 12W (Max) |
| MTBF | >30000H |
| Dimension | 99mm (W) × 128mm (D) × 154mm (H) |
| Weight | 0.91kg |

INTERFACE

- 1 — USB3.0 Interface
- 2 — HDMI Interface
- 3 — LINE IN Interface
- 4 — RS232 IN Interface
- 5 — RS232 OUT Interface
- 6 — DC 12V Power Jack



1080P Video Conferencing PTZ Camera

RC20

RC20 is a video conferencing camera designed for high cost-effectiveness needs of enterprises. It features a new generation 1/2.8" HD CMOS sensor and delivers excellent image quality at 1080P resolution. With its 10x optical zoom capability, it presents clear details of the meeting room.



1080P



Dual-Stream

10x
Optical Zoom

Mechanical PTZ

Full-Function
USB

FEATURES

▼ 1080P FULL HD

Equipped with a high-quality HD CMOS sensor with 2.07 Megapixels, it provides a maximum resolution of 1920x1080, delivering Full HD image quality.

▼ 10X OPTICAL ZOOM

The lens supports 10x optical zoom with a focal length of $f=4.7\text{mm} \sim 46.3\text{mm}$, presenting clear close-up views of the meeting room.

▼ SILENT MECHANICAL PTZ

Built-in self-developed motorized pan-tilt, the camera can rotate horizontally up to $\pm 170^\circ$ with a rotation speed of $2.7^\circ \sim 47^\circ/\text{s}$ and vertically from -30° to 90° with a rotation speed of $3.4^\circ \sim 30^\circ/\text{s}$.

▼ SUPPORTS H.264 SLICE/ H.264 SVC ENCODING

It supports H.264 Slice and SVC encoding modes for outputting H.264 stream, which is suitable for high-end USB conference video applications.

▼ DUAL-STREAM

It supports dual-stream output (YUY2, MJPEG, H.264) at the same time, reducing the encoding and decoding pressure on the host.

▼ REMOTE CONTROL

The camera supports RS232 serial port for remote control.

▼ FLEXIBLE INSTALLATION

It supports horizontal and vertical flipping and can be installed in different ways, such as normal mounting, suspension, or ceiling mounting, depending on the actual needs of the meeting room.

SPECIFICATIONS

▼ CAMERA

| | |
|---------------------------|---|
| Video Resolution | 1080P, 720P, 540P, 480P, 360P, 240P |
| Sensor | 1/2.8", CMOS, 2.07 Megapixels |
| Scanning Mode | Progressive |
| Lens | 10x, f4.7mm ~ 46.3mm, F1.8 ~ F2.8 |
| Digital Zoom | 16x |
| Minimal Illumination | 0.5Lux @ (F1.8, AGC ON) |
| Shutter | 1/30s ~ 1/10000s |
| White Balance | Auto, Indoor, Outdoor, One Push, Manual, Adjustable color temperature |
| Backlight Compensation | Support |
| Digital Noise Reduction | 2D&3D Digital Noise Reduction |
| Video S/N | $\geq 55\text{dB}$ |
| Horizontal Angle of View | $58.5^\circ \sim 6.5^\circ$ |
| Vertical Angle of View | $35.1^\circ \sim 3.6^\circ$ |
| Horizontal Rotation Range | $\pm 170^\circ$ |
| Vertical Rotation Range | $-30^\circ \sim +90^\circ$ |
| Pan Speed Range | $2.7^\circ \sim 47^\circ/\text{s}$ |
| Tilt Speed Range | $3.4^\circ \sim 30^\circ/\text{s}$ |
| H & V Flip | Support |
| Number of Preset | 255 |
| Preset Accuracy | 0.1° |

▼ INPUT / OUTPUT INTERFACE

| | |
|-------------------------|---|
| USB | 1x USB 2.0, Type-B Jack |
| Communication Interface | 1x RS232 In: 8pin Min DIN, Max Distance: 30m, Protocol: VISCA/Pelco-D/Pelco-P |
| Power Jack | JEITA Type (DC IN 12V) |

▼ USB FEATURES

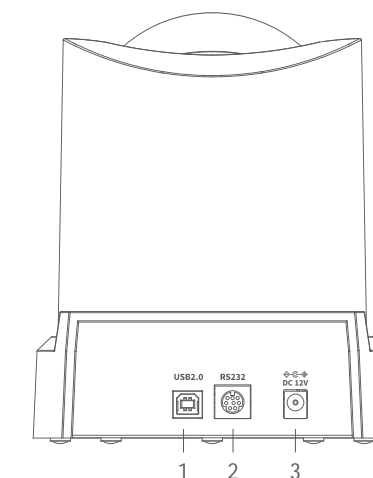
| | |
|----------------------------------|--|
| Operating System | Windows 7, Windows 8, Windows 10, Mac OS X, Linux, Android |
| Color System / Compression | YUY2 / H.264 / MJPEG |
| Video Format | H.264 AVC: Max 1080P30; H.264 SVC: Max 1080P30; MJPEG: Max 1080P30 |
| USB Video Communication Protocol | UVC 1.1 |
| UVC PTZ Control | Support |

▼ GENERAL SPECIFICATION

| | |
|-----------------------|---|
| Input Voltage | DC 12V |
| Input Current | 1A (Max) |
| Operating Temperature | $-10^\circ\text{C} \sim 40^\circ\text{C}$ |
| Storage Temperature | $-40^\circ\text{C} \sim 60^\circ\text{C}$ |
| Power Consumption | 12W (Max) |
| MTBF | >30000H |
| Dimension | 141.5mm(W) × 151.1mm(D) × 170.2mm(H) |
| Weight | 1.153kg |

INTERFACE

- 1 — USB 2.0 Interface
- 2 — RS232 Interface
- 3 — DC 12V Power Jack



CAMERAS

1080P Video Conferencing PTZ Camera

PTZ Camera mini (RC310)



1080P



TOF



3x
Optical Zoom



Mechanical PTZ



Auto Framing with
AI Technology

RC310 is a highly cost-effective video conferencing camera designed specifically for small enterprise meeting scenarios. With a compact body the size of a palm, it features a 1/2.8" high-quality CMOS sensor that delivers 1080P HD image quality. It is equipped with various AI video algorithms, providing an outstanding video communication experience.



FEATURES

▼ USB PLUG-AND-PLAY

With just a single USB cable, it enables audio and video transmission as well as camera power supply, offering a hassle-free deployment experience.

▼ 1080P + 3X OPTICAL ZOOM

Using a new generation HD CMOS sensor, it delivers a Full HD 1080P video experience, combined with 3X optical zoom, ensuring clear images for both panoramic and close-up shots.

▼ WIDE FIELD OF VIEW

It features a 90° ultra-wide-angle lens that supports ±170° horizontal and -30° to +90° vertical rotation, capturing the entire meeting space without blind spots.

▼ 3M PICKUP DISTANCE

It has two built-in microphones with a pickup distance of up to 3m, eliminating the need for additional audio pickup devices and enabling simultaneous audio and video recording.

▼ TOF FAST AUTOFOCUS

Equipped with Time-of-Flight (TOF) laser focusing technology, it achieves rapid autofocus, keeping the subject in focus at all times, ensuring clear and stable image quality.

▼ AUTO FRAMING WITH AI TECHNOLOGY

Built-in video AI algorithms can recognize the positions of meeting participants and automatically adjust the camera's field of view to capture the best composition. In single-person shooting mode, the camera automatically tracks and focuses on the moving target.

▼ VERSATILE INSTALLATION

It supports both desktop installation and tripod installation, meeting the diverse installation needs of meetings and live streaming scenarios.

SPECIFICATIONS

▼ CAMERA

| | |
|---------------------------|---|
| Sensor | 1/2.8", CMOS, 2.07 Megapixels |
| Scanning Mode | Progressive |
| Lens | 3x, f3.41mm ~ 10.33mm, F1.66 ~ F3.03 |
| Digital Zoom | 16x |
| Minimal Illumination | 0.5Lux @ (F1.8, AGC ON) |
| Shutter | 1/30s ~ 1/10000s |
| White Balance | Auto, Indoor, Outdoor, One Push, Manual, Adjustable color temperature |
| Backlight Compensation | Support |
| Digital Noise Reduction | 2D&3D Digital Noise Reduction |
| Video S/N | ≥55dB |
| Horizontal Angle of View | 90° ~ 30.7° |
| Vertical Angle of View | 52° ~ 18.4° |
| Horizontal Rotation Range | ±170° |
| Vertical Rotation Range | -30° ~ +90° |
| Pan Speed Range | 2.7° ~ 35.7°/s |
| Tilt Speed Range | 2.7° ~ 31.5°/s |
| H & V Flip | Support |
| Image Freeze | Support |
| Number of Preset | 255 |
| Preset Accuracy | 0.1° |

▼ INPUT / OUTPUT INTERFACE

| | |
|-------------------------|---|
| USB | 1x USB 2.0, Type-C Jack |
| Audio Input | Built-in dual mic |
| Communication Interface | 1x RS232 In: 8pin Min DIN, Max Distance: 30m, Protocol: VISCA/Pelco-D/Pelco-P |
| Power Jack | JEITA (DC IN 12V) / USB Type-C (DC IN 5V) |

▼ USB FEATURES

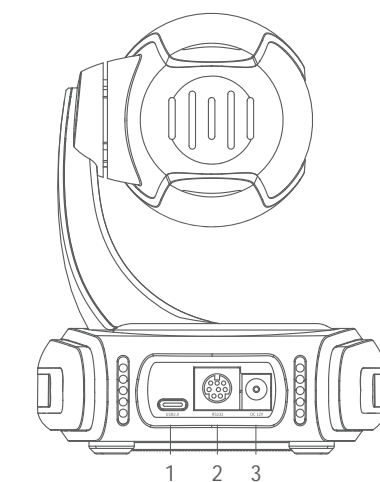
| | |
|----------------------------------|---|
| Operating System | Windows 7, Windows 8, Windows 10, Mac OS X, Linux, Android |
| Color System / Compression | YUY2 / MJPEG |
| Video Format | YUY2 (Isochronous): Max 640x480P30 MJPEG: Max 1920x1080P30 |
| USB Audio | Optional |
| USB Video Communication Protocol | UVC 1.1 |
| UVC PTZ Control | Support |

▼ GENERAL SPECIFICATION

| | |
|-----------------------|--------------------------------------|
| Input Voltage | DC 12V / USB 5V |
| Input Current | 12V 0.4A / 5V 0.9A |
| Operating Temperature | -10°C ~ 40°C |
| Storage Temperature | -40°C ~ 60°C |
| Power Consumption | 5W |
| MTBF | >30000H |
| Dimension | 107.9mm(W) × 114.3mm(D) × 136.5mm(H) |
| Weight | 0.5kg |

INTERFACE

- 1 — USB 2.0 Interface
- 2 — RS232 Interface
- 3 — DC 12V Power Jack



4K Business Webcam

RC17 / RC18



4K 30fps

84° /120°
Wide Angle

USB 3.0



Built-in Mic

Auto Framing
with AI Technology

RC17/RC18 is a HD commercial camera designed specifically for small to medium-sized meeting rooms in enterprises. It offers a choice between two lens models: RC17 120° fixed lens or RC18 84° auto-focus lens, depending on the requirements of the meeting room. Both models feature a 4K CMOS sensor that achieves a resolution of 3840x2160, delivering a more detailed and realistic video conferencing experience.



FEATURES

▼ 4K VIDEO QUALITY

It utilizes a 1/2.5" 4K CMOS sensor with 8.29 Megapixels. It supports maximum 4K@30fps image encoding output and is also compatible with lower resolutions such as 1080P and 720P.

▼ WIDE FIELD OF VIEW

The camera offers a choice between 84° and 120° lenses, with support for auto-focus (only available with the 84° lens) and EPTZ electronic zoom, allowing for a clearer and wider viewing range.

▼ AI AUTO FRAMING

It incorporates built-in video AI algorithms that can recognize the positions of participants and automatically adjust the camera angle for the best framing.

▼ SPEAKER TRACKING

With built-in intelligent analysis algorithms, it can identify the speaker's position, intelligently link with the EPTZ function and automatically track the speaker, ensuring that the speaker remains clear in the frame.

▼ AI HUMAN TRACKING

By utilizing AI technology to extract target features, it can achieve smooth human tracking regardless of the direction the person is facing. It is suitable for applications such as automatic tracking of presenters and provides flexibility in selecting the tracking target.

▼ BUILT-IN MICROPHONE¹

An optional built-in digital microphone array is available, equipped with VHD (Virtual HD) exclusive noise suppression algorithms, enabling clear omnidirectional audio pickup within a range of 6m.

Remark: 1. This feature is optional.

SPECIFICATIONS

▼ CAMERA

| | |
|-------------------------|---|
| Sensor | 1/2.5", CMOS, 8.29 Megapixels |
| Scanning Mode | Progressive |
| Lens Mount | M12 |
| Lens One | RC17, Focal length: f=3.5mm, Horizontal field Angle: 120° |
| Lens Two | RC18, Focal length : f=2.8mm, Horizontal field Angle: 84° |
| Minimum Illuminance | 0.5Lux @ (F1.8, AGC ON) |
| Shutter | 1/30s ~ 1/10000s |
| White Balance | Auto, Indoor, Outdoor, One Push, Manual |
| Backlight Compensation | Support |
| Digital Noise Reduction | 2D&3D Digital Noise Reduction |
| Camera Bracket | Standard equipped damped rotating bracket |

▼ INPUT / OUTPUT INTERFACE

| | |
|-------------|--------------------------|
| USB | 1x USB 3.0; Type-B |
| HDMI Output | 1x HDMI 1.4 ¹ |

▼ GENERAL SPECIFICATION

| | |
|-----------------------|---|
| Input Voltage | 5V (USB-powered) |
| Input Current | 0.6A |
| Operating Temperature | -10°C ~ 40°C |
| Storage Temperature | -40°C ~ 60°C |
| Power Consumption | 3W |
| Dimension | 194mm (W) × 42mm (D) × 34mm (H) (Stent-free) |
| Weight | 0.5kg |

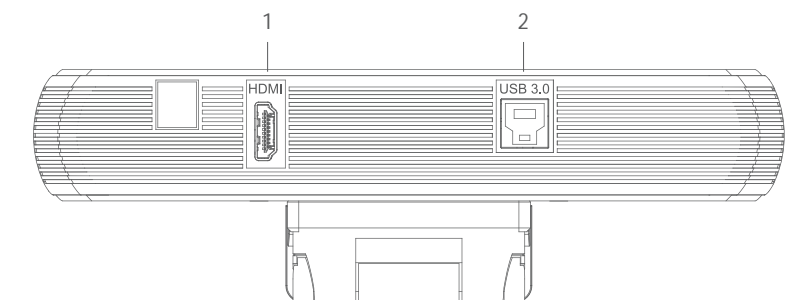
▼ USB FEATURES

| | |
|----------------------------------|---|
| Operating System | Windows® 7 (only 1080P and below support) Windows 8, Windows 10, Windows 11 MacOS X Above Linux 2.4.6 Android (include UVC-related driver programs) |
| Color System /Compression | YUY2 / H.264 / MJPEG |
| Video Format | 4KP30/25; 1080P/30/25; 720P/30/25; 960x540P/30/25; 640x360P/30/25 |
| USB Video Communication Protocol | UVC 1.1 |
| UVC PTZ Control | Support (EPTZ) |



INTERFACE

- 1 — HDMI Interface¹
2 — USB 3.0 Interface



CAMERAS

1080P Business Webcam

RC13



RC13 is a HD commercial camera specifically designed for small meeting rooms in enterprises. It offers a CMOS sensor that delivers 1080P resolution for improved meeting quality. With the included dampened rotating axis bracket, it can easily adapt to mainstream displays on the market, making deployment simple and hassle-free.



FEATURES

▼ 1080P FULL HD

It features a high-quality 2.07 Megapixels CMOS image sensor that supports a maximum of 1080@30fps/25fps image encoding output. It is also backward compatible with lower resolutions such as 720p.

▼ WIDE-ANGLE LENS

It utilizes a 108° fixed-focus lens and supports EPTZ electronic mute pan-tilt-zoom, providing a larger viewing angle and clearer visuals.

▼ NOISE-CANCELING MICROPHONE

It has a built-in digital microphone that enables 360° omnidirectional audio pickup with a range of up to 6m. With excellent noise suppression algorithms, it ensures clear voice communication.

▼ USB 2.0

It features a full-featured USB 2.0 interface that provides power, control, audio and video transmission for the camera, offering a simple deployment experience.

▼ HIGH SIGNAL-TO-NOISE RATIO

Equipped with a high signal-to-noise ratio CMOS image sensor, it effectively reduces image noise in low-light conditions. With the application of 2D and 3D noise reduction algorithms, it maintains clean and clear images even in low-light environments, achieving a signal-to-noise ratio of 55dB or higher.

▼ ONE-BUTTON CONTROL SWITCH

It has a power switch button on the camera body for one-click operation to turn it on or off, enhancing security and privacy during camera usage.

▼ EASY INSTALLATION

The camera comes with a standard dampened rotating axis bracket that easily adapts to the majority of displays available on the market. It ensures a simple and stable installation process.

SPECIFICATIONS

▼ CAMERA

| | |
|-------------------------|--|
| Sensor | 1/2.8", CMOS, 2.07 Megapixels |
| Scanning Mode | Progressive |
| Lens Mount | M12 |
| Lens | Focal length: f=2.20mm, Wide Angle: 108° |
| Minimal Illumination | 0.5Lux @ (F1.8, AGC ON) |
| Shutter | 1/30s ~ 1/10000s |
| White Balance | Auto, Manual, Adjustable color temperature |
| Backlight Compensation | Support |
| Digital Noise Reduction | 2D&3D Digital Noise Reduction |
| Camera Bracket | Standard equipped damped rotating bracket |

▼ INPUT / OUTPUT INTERFACE

| | |
|-------------|----------------------------------|
| USB | 1x USB 2.0; Type-B |
| HDMI Output | 1x MIC In, 3.5mm Audio Interface |

▼ GENERAL SPECIFICATION

| | |
|-----------------------|---|
| Input Voltage | 5V (USB-powered) |
| Input Current | 0.27A |
| Power Switch | Support |
| Operating Temperature | -10°C ~ 40°C |
| Storage Temperature | -40°C ~ 60°C |
| Power Consumption | 1.4W |
| Dimension | 192mm (W) × 42mm (D) × 34mm (H) (Stent-free) |
| Weight | 0.214kg |

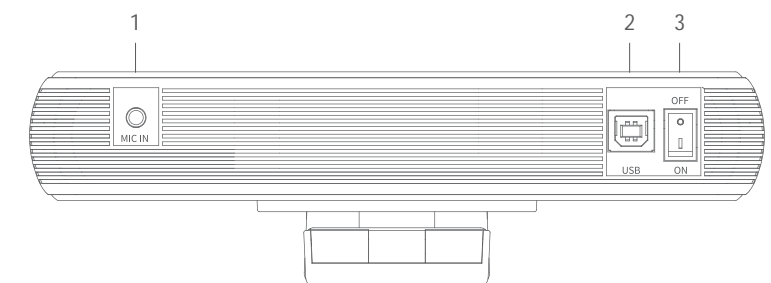
▼ USB FEATURES

| | |
|----------------------------------|--|
| Operating System | Windows® 7 (only 1080P and below support) Windows 8, Windows 10, Windows 11 MacOS X Above Linux 2.4.6 Android (include UVC-related driver programs) |
| Hardware Requirements | 2.4 GHz Intel® Core 2 Duo processor or higher 2 GB memory or higher USB 2.0 |
| Color System /Compression | YUY2 / H.264 / MJPEG |
| Video Format | 1080P/30/25; 720P/30/25; 960x540P/30/25; 640x360P/30/25 |
| USB Video Communication Protocol | UVC 1.1 |



INTERFACE

- 1 — MIC IN Interface
- 2 — USB Interface
- 3 — ON/OFF



USB Webcam

RC15



1080P



110° Wide Angle



WDR



Built-in Mic



Full-function USB

RC15 is a high-cost-performance USB webcam specifically designed for small to medium-sized meeting rooms and personal office settings. It can be easily powered, controlled and transmit audio and video through a single USB interface, offering plug-and-play convenience. Equipped with a dampened rotating axis bracket, it can be easily installed on various types of displays, ensuring quick and convenient setup.



FEATURES

▼ 1080P FULL HD

It features a high-quality 2.07 Megapixels CMOS image sensor, supporting up to 1080P@30fps video output, delivering a HD video conferencing experience.

▼ WIDE FIELD OF VIEW

With a 110° wide-angle lens, it can accommodate more participants, capturing clear footage even for those sitting in the corners, resulting in enhanced meeting effectiveness.

▼ WDR SUPPORT

It effortlessly handles different lighting environments, ensuring clean and clear footage even in overly bright or dark conditions.

▼ USB 2.0

It supports a USB 2.0 interface, allowing for power, control, audio and video transmission for the camera, providing a streamlined deployment experience.

▼ HIGH SIGNAL-TO-NOISE RATIO

Equipped with a high signal-to-noise ratio CMOS image sensor, it effectively reduces image noise in low-light conditions. By utilizing 2D and 3D noise reduction algorithms, it maintains clean and clear images even in extremely low-light environments, achieving a signal-to-noise ratio of 55dB or higher.

▼ OMNIDIRECTIONAL MICROPHONE

It has a built-in microphone array that enables 360° omnidirectional audio pickup within a radius of 6m. With Rocware®'s exclusive noise suppression algorithm, it delivers clear voice reproduction.

▼ EASY INSTALLATION

With the included dampened rotating axis bracket, it can be easily applied to the majority of displays available on the market, ensuring simple and stable installation.

SPECIFICATIONS

▼ CAMERA

| | |
|-------------------------|---|
| Sensor | 1/2.8", CMOS, 2.07 Megapixels |
| Scanning Mode | Progressive |
| Lens Mount | M12 |
| Lens | Focal length: f=2.2mm, Wide Angle: 110° |
| Minimal Illumination | 0.5Lux @ (F1.8, AGC ON) |
| Shutter | 1/30s ~ 1/10000s |
| White Balance | Auto, Indoor, Outdoor, One Push, Manual |
| Backlight Compensation | Support |
| Digital Noise Reduction | 2D&3D Digital Noise Reduction |
| Camera Bracket | Standard equipped damped rotating bracket |

▼ INPUT / OUTPUT INTERFACE

| | |
|-----|--------------------|
| USB | 1x USB 2.0; Type-A |
|-----|--------------------|

▼ GENERAL SPECIFICATION

| | |
|-----------------------|---------------------------------------|
| Input Voltage | 5V (USB-powered) |
| Input Current | 0.3A |
| Operating Temperature | -10°C ~ 40°C |
| Storage Temperature | -40°C ~ 60°C |
| Power Consumption | 1.5W |
| Dimension | 118.0mm (W) x 38.5mm (D) x 34.7mm (H) |
| Weight | 0.1kg |

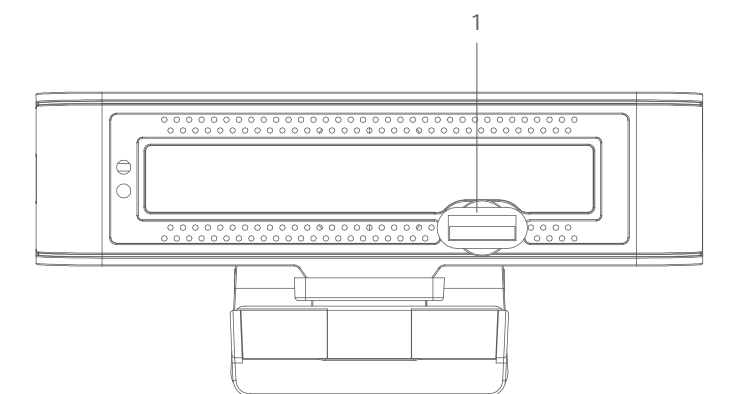
▼ USB FEATURES

| | |
|----------------------------------|---|
| Operating System | Windows® 7 (only 1080P and below support), Windows 8.1, Windows 10 or higher macOS™ 10.10 Or higher Google™ Chromebook™ Version 29.0.1547.70 or higher Linux (Support UVC) |
| Hardware Requirements | 2.4 GHz Intel® Core 2 Duo processor or higher 2 GB memory or higher USB 2.0 |
| Color System / Compression | H.265 / H.264 / MJPEG |
| Video Format | 1080P/30/25; 720P/30/25; 960x540P/30/25; 640x360P/30/25 |
| USB Video Communication Protocol | UVC 1.0 ~ UVC 1.5 |



INTERFACE

1 — USB 2.0 Interface



USB Webcam

RC16



4K 30fps

110°
Wide AngleAuto Framing
With AI
TechnologyHuman Tracking
Shooting

Built-in Mic

RC16 is a high-performance USB webcam designed specifically for small to medium-sized meeting rooms and personal office environments. It is equipped with a next-generation UHD CMOS image sensor, providing 4K UHD resolution images. In addition, it features automatic focus, AI framing, person tracking algorithms and audio processing capabilities, delivering an exceptional conference audiovisual experience for users.



FEATURES

▼ 4K UHD

It utilizes a 1/2.7" UHD CMOS sensor with 8.29 Megapixels. It supports a maximum 4K@30fps image encoding output, delivering higher picture resolution and rich details.

▼ 110° WIDE ANGLE

Equipped with a 110° ultra-wide-angle lens, it captures a wider range and minimizes image distortion. With Auto Framing technology, it can automatically detect people within the field of view and adjust the picture angle accordingly.

▼ AUTO FRAMING WITH AI TECHNOLOGY

The camera integrates AI algorithms and facial recognition technology, automatically identifying changes in seating arrangement in the meeting room and adjusting the camera's field of view for optimal framing. It can also track new participants as they enter the frame.

▼ HUMAN TRACKING SHOOTING WITH AI TECHNOLOGY

With the built-in NNE hardware unit and deep learning technology, it achieves smooth person tracking by extracting target features, regardless of the direction the person's face is facing.

▼ 6M CLEAR AUDIO PICKUP

Featuring a built-in beamforming microphone array and unique noise suppression and automatic gain algorithms, it ensures clear audio pickup within a range of 6m, enhancing speech clarity.

▼ FULL-FEATURED USB 3.0

Supporting a full-featured USB 3.0 interface, it enables integrated power supply, video and audio transmission. It can also support simultaneous input from two USB video sources¹ and one audio source.

▼ ONE-CLICK CONVENIENCE

With the exquisite infrared remote control and exclusive software, users can easily activate features such as automatic framing and person tracking with a single click. It also allows convenient settings for presets, electronic pan-tilt-zoom (ePTZ), image parameters, providing a user-friendly operating experience.

Remark:

1. This feature is optional.

SPECIFICATIONS

▼ CAMERA

| | |
|-------------------------|---|
| Sensor | 1/2.7", CMOS, 8.29 Megapixels |
| Scanning Mode | Progressive |
| Lens Mount | M12 |
| Lens | Focal length: f=2.2mm, Wide Angle:110° |
| Minimum Illuminance | 0.5Lux @ (F1.8, AGC ON) |
| Shutter | 1/30s ~ 1/10000s |
| White Balance | Auto, Indoor, Outdoor, One Push, Manual |
| Backlight Compensation | Support |
| Digital Noise Reduction | 2D&3D Digital Noise Reduction |
| Camera Bracket | Standard equipped damped rotating bracket |

▼ INPUT / OUTPUT INTERFACE

| | |
|-------------------------|--------------------|
| USB | 1x USB 3.0; Type-C |
| Infrared Remote Control | Support |

▼ GENERAL SPECIFICATION

| | |
|-----------------------|---|
| Input Voltage | 5V (USB-powered) |
| Input Current | 0.6A (MAX) |
| Operating Temperature | 0°C ~ 40°C |
| Storage Temperature | -40°C ~ 60°C |
| Power Consumption | 3.0W (MAX) |
| Dimension | 118mm (W) x 37.2mm (D) x 34.5mm (H) (stent-free) |
| Weight | 0.2kg |

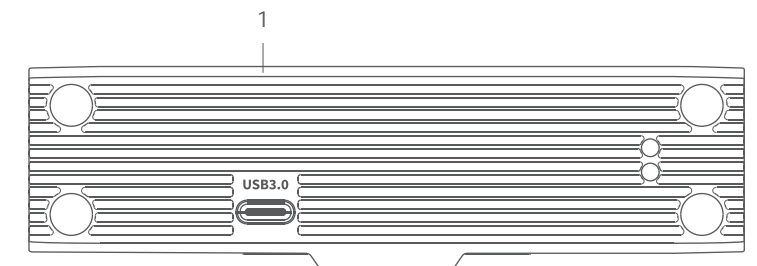
▼ USB FEATURES

| | |
|----------------------------------|---|
| Operating System | Windows® 7 (only 1080P and below support), Windows 8.1, Windows 10 or higher macOS™ 10.10 Or higher Google™ Chromebook™ Version 29.0.1547.70 or higher Linux (Support UVC) |
| Hardware Requirements | 2.4 GHz Intel® Core 2 Duo processor or higher 2 GB memory or higher USB 2.0 (4K need USB3.0) |
| Color System / Compression | H.264 / MJPEG / YUY2 |
| Video Format | 4KP30/25, 1080P30/25, 720P30/25, 960x540P30/25, 640x360P30/25,etc. |
| USB Video Communication Protocol | UVC 1.1 |
| UVC PTZ Control | Support (EPTZ) |



INTERFACE

1 — USB3.0 Interface



CAMERAS

USB Webcam

RC19



RC19 is a high-performance USB webcam specifically designed for small to medium-sized meeting rooms and personal office environments. It integrates a 1080P HD camera and a digital array microphone, combining audio and video experience in one device. Simply connect it to a large screen, computer, or other peripherals via USB to start a meeting. The unique sliding privacy cover allows you to close the lens at any time, ensuring participant privacy.



FEATURES

▼ FULL HD IMAGE

It uses a 2.07 Megapixels high-quality CMOS image sensor, supporting a maximum 1080@30fps/25fps image encoding output. It is also backward compatible with resolutions such as 720p.

▼ DISTORTION-FREE WIDE ANGLE

With a wide field of view, the maximum horizontal field of view can reach 90°, capturing a broader range without distortion. The camera can be equipped with auto-focus (AF) functionality.

▼ ELECTRONIC PAN-TILT

Without the need for mechanical rotating devices, it achieves precise and noiseless pan-tilt functionality electronically, ensuring reliability and durability.

▼ 6M CLEAR AUDIO PICKUP

Featuring a built-in microphone array, it enables 360° omnidirectional audio pickup with a pickup range of up to 6 meters. It incorporates Rocware's unique noise suppression and Automatic Gain Control (AGC) algorithms, ensuring clear and natural voice communication.

▼ FULL-FEATURED USB

Supporting a full-featured USB 2.0 interface, a single USB cable provides power, control, audio and video transmission, making the wiring process simple.

▼ PRIVACY COVER DESIGN

The camera is equipped with an integrated sliding privacy cover, allowing you to close the lens at any time to protect the privacy of participants.

SPECIFICATIONS

▼ CAMERA

| | |
|----------------------------|---|
| Sensor | 1/2.8", CMOS, 2.07 Megapixels |
| Scanning Mode | Progressive |
| Lens Mount | M12 |
| Lens | Focal length: f=2.8mm, Wide Angle: 90° |
| Minimum Illuminance | 0.5Lux @ (F2.2, AGC ON) |
| Shutter | 1/30s ~ 1/10000s |
| White Balance | Auto, Manual |
| Backlight Compensation | Support |
| Digital Noise Reduction | 2D&3D Digital Noise Reduction |
| Camera Bracket | Standard equipped damped rotating bracket |
| Physical Privacy Shielding | Support |
| Digital Zoom | 4X |

▼ INPUT / OUTPUT INTERFACE

| | |
|-----|--------------------|
| USB | 1x USB 2.0; Type-A |
|-----|--------------------|

▼ GENERAL SPECIFICATION

| | |
|-----------------------|---------------------------------|
| Input Voltage | 5V (USB-powered) |
| Input Current | 0.2A |
| Operating Temperature | 0°C ~ 40°C |
| Storage Temperature | -40°C ~ 60°C |
| Power Consumption | 1W |
| Dimension | 103mm (W) x 27mm (D) x 30mm (H) |
| Weight | 153g |

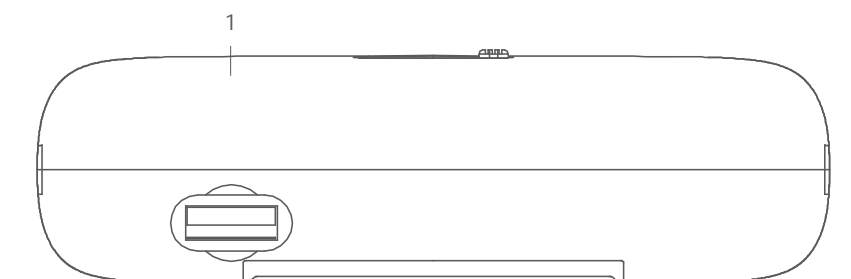
▼ USB FEATURES

| | |
|----------------------------------|---|
| Operating System | Windows® 7 (only 1080P and below support), Windows 8.1, Windows 10 or higher macOS™ 10.10 Or higher Google™ Chromebook™ Version 29.0.1547.70 or higher Linux (Support UVC) |
| Hardware Requirements | 2.4 GHz Intel® Core 2 Duo processor or higher 2 GB memory or higher USB 2.0 |
| Color System / Compression | YUY2 / H.264 / MJPEG |
| Video Format | 1080P30/25, 720P30/25, 960x540P30/25, 640x360P30/25 |
| USB Video Communication Protocol | UVC 1.1 |
| UAC | Support |
| UVC PTZ Control | Support (EPTZ) |



INTERFACE

1 — USB Interface



4K UHD Intelligent Teaching Camera

RC031



4K 30fps

Dual-camera
CollaborationIntelligent
TrackingAutomatic
Program
DirectAutomatic
Generate
Whiteboard
Video Stream

RC031 is a 4K UHD intelligent teaching camera designed specifically for the education field. By setting up a teacher unit and a student unit, it can provide coverage of the entire classroom. The camera is equipped with built-in AI tracking algorithms and intelligent switching strategies, allowing for real-time switching of different perspectives, including panoramic and close-up views of the teacher, panoramic and close-up views of the students, as well as close-up views of the teacher's whiteboard. It can automatically generate unobstructed views of the whiteboard, enabling a comprehensive presentation of the teacher's perspective and the students' perspective, making it an ideal tool for interactive teaching in schools.



FEATURES

▼ 4K UHD VIDEO QUALITY

The camera utilizes a 1/2.7" high-quality 4K CMOS sensor with 8.31 Megapixels, providing an ultra-clear video teaching experience.

▼ AI TRACKING CAPTURE

The camera is equipped with AI algorithms for detecting human heads, faces and bodies. The teacher unit can automatically track and capture the teacher's movements, unaffected by student movements or the presence of large screens. The student unit can accurately detect student standing actions, regardless of other student movements.

▼ INTELLIGENT WHITEBOARD GENERATION

During a class, the camera can automatically remove any obstruction of the whiteboard by capturing human figures, providing real-time unobstructed video streams and snapshots of the whiteboard for easy viewing by students.

▼ INTELLIGENT SWITCHING STRATEGY

The camera features an AI-based automatic switching strategy, allowing real-time switching of different perspectives based on the dynamic conditions in the classroom. This includes panoramic and close-up views of the teacher, panoramic and close-up views of the students and close-up views of the teacher's whiteboard. The switching process is as smooth as manual broadcasting.

▼ DUAL-UNIT DUAL-PERSPECTIVE

The camera offers both a teacher unit and a student unit. The teacher unit has a 44° field of view and supports autofocus, while the student unit has a 95° field of view, capturing the entire classroom scene.

▼ EASY INSTALLATION AND WIRING

The camera supports PoE (Power over Ethernet) connectivity, allowing for a simple and efficient installation. With its compact design, it doesn't take up much space in the classroom. The camera also offers a variety of interfaces, making it compatible with existing school equipment such as large screens, speakers, and monitoring systems.

SPECIFICATIONS

▼ CAMERA

| | |
|-------------------------|---|
| Sensor | 1/2.7", CMOS, 8.31 Megapixels |
| Scanning Mode | Progressive |
| Lens Mount | M12 |
| Lens One (For Teacher) | Focal length: f=7.2mm, Wide Angle: 44° |
| Lens Two (For students) | Focal length: f=2.8mm, Wide Angle: 95° |
| Minimal Illumination | 0.5Lux @ (F1.8, AGC ON) |
| Shutter | 1/30s ~ 1/10000s |
| White Balance | Auto, Indoor, Outdoor, One Push, Manual |
| Backlight Compensation | Support |
| EPTZ | Support |
| Auto-Focusing | Lens one Support |
| PoE-Powered | Support |
| Digital Zoom | 8X |

▼ IPC FEATURES

| | |
|------------------------------------|---|
| Video Compression | H.265 / H.264 / MJPEG |
| Video Stream | Primary video stream, Secondary video stream, Tertiary video stream, Quaternary video stream |
| Primary Video Stream Resolution | 1920x1080, 1280x720, 1024x576, 960x540, 640x480, 640x360, 320x240, 320x180 |
| Secondary Video Stream Resolution | 3840x2160, 1920x1080, 1920x1080, 1280x720, 1024x576, 720x576(50Hz), 720x480(60Hz), 720x408, 640x360, 480x270 |
| Tertiary Video Stream Resolution | 1920x1080, 1280x720, 1024x576, 960x540, 720x576(50Hz), 720x480(60Hz), 720x408, 640x360, 480x270, 320x240, 320x180 |
| Quaternary Video Stream Resolution | 1024x576, 960x540, 720x576(50Hz), 720x480(60Hz), 720x408, 640x360, 480x270, etc. |
| Video Bit Rate | 32Kbps ~ 16384Kbps |
| Bit Rate Type | Variable Rate, Fixed Rate |
| Frame Rate | 1~30fps |
| Audio Compression | AAC / G.711a |
| Audio Bit Rate | 96Kbps, 128Kbps |
| Support Protocols | TCP/IP, HTTP, RTSP, RTMP, Onvif, DHCP, GB28181, Multicast, etc. |

▼ USB FEATURES

| | |
|----------------------------------|--|
| Operating System | Windows 11, Windows 10, Windows XP, Windows Vista, Windows 7, Windows 8, Mac OS X, Linux |
| Color System / Compression | H.264 / MJPEG |
| Video Format | MJPEG: Max 2160P30fps |
| USB Audio | UAC1.0 |
| USB Video Communication Protocol | UVC 1.1 ~ UVC 1.5 |

▼ INPUT / OUTPUT INTERFACE

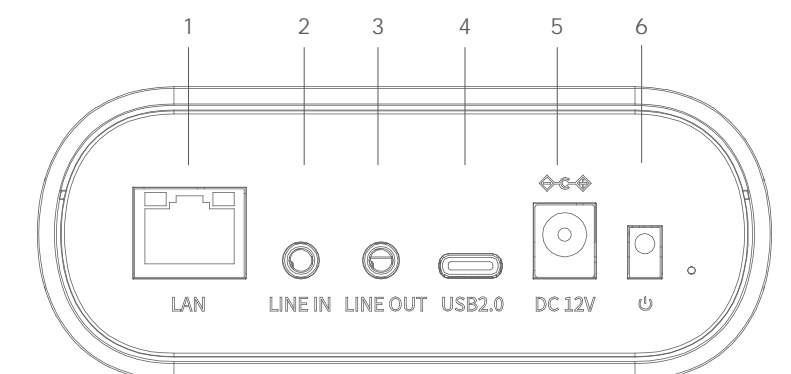
| | |
|--------------------|--|
| USB | 1x USB 2.0; Type-C |
| Network Interface | 1x RJ45: 10M/100M Adaptive Ethernet, PoE support |
| Audio Interface | 1x 3.5mm LINE IN 1x 3.5mm LINE OUT |
| Power Jack | DC005 (DC 12V) |
| Indicator light | Power indicator light |
| Infrared Interface | Support |

▼ GENERAL SPECIFICATION

| | |
|-----------------------|---------------------------------|
| Input Voltage | DC 12V / PoE (802.3af) |
| Input Current | 0.5A (Max) |
| Operating Temperature | -10°C ~ 40°C |
| Storage Temperature | -40°C ~ 60°C |
| Power Consumption | 6W (Max) |
| MTBF | >30000H |
| Dimension | 110mm (W) x 96mm (D) x 44mm (H) |
| Weight | 0.2kg |

INTERFACE

- 1 — LAN
- 2 — LINE IN
- 3 — LINE OUT
- 4 — USB 2.0
- 5 — DC 12V
- 6 — Indicator Light



Dual-lens 4K Intelligent Auto Tracking Camera

RC051



Dual Lens



4K UHD



Facial Recognition



AI Behavior Analysis



AI Smart Director

Designed for intelligent educational settings, the RC051 combines dual lenses for panoramic and close-up views, delivering 4K UHD images. It includes built-in instructional tracking and directing, AI features like facial recognition and teaching behavior analysis. It also supports HDMI input, which enhances the teaching experience.



FEATURES

▼ DUAL-LENS

The camera incorporates a dual-lens design that combines panoramic and close-up capabilities. The panoramic lens offers an effective resolution of 4.93MP, while the close-up lens provides 8.29MP, enabling comprehensive classroom coverage and capturing every detail.

▼ ULTRA-CLEAR CLOSE-UP

The close-up lens provides exceptional clarity with its narrow field of view. The 21° teacher-focused lens, boasting an 8MP resolution, delivers clarity equivalent to a 42° lens with a 34MP resolution. Likewise, the 44° student-focused lens matches the clarity of a 95° lens with 58MP resolution.

▼ MINI PTZ

The camera is equipped with a mini PTZ that can horizontally rotate $\pm 40^\circ$, expanding the shooting range significantly. It also supports EPTZ, ensuring clear images. The seamless integration of PTZ and EPTZ allows for more precise framing, capturing all the important details in the class.

▼ INTELLIGENT TRACKING

The teacher's camera includes advanced algorithms for head, facial, and body recognition and tracking. It can track and capture the teacher without any additional positioning camera or device, ensuring no missed interactive details during teaching.

▼ AI SMART DIRECTOR

The camera features built-in AI director algorithms, recognizing real teaching scenarios and automatically switching between teacher panoramic, close-up, and board close-up views, as well as student panoramic and close-up views. It also supports external directing consoles, outputting multi-camera streams via network or USB interfaces to meet the needs of external directing scenarios.

▼ AI BEHAVIOR ANALYSIS

Equipped with AI algorithms for facial recognition and behavior analysis, the camera automatically detects the number of students, simplifying school attendance management. These intelligent functions streamline teaching administration, improving efficiency and enhancing the educational experience.

▼ MULTIPLE OUTPUT INTERFACES

Supporting various video output interfaces like PoE and USB 3.0, it easily connects to recording and broadcasting hosts, large-screen OPS, and other devices, expanding application scenarios effectively.

Remark: 1. This feature is optional.

SPECIFICATIONS

▼ CAMERA SPEC OF CLOSE-UP CAMERA

| | |
|-------------------------|--|
| Sensor | 1/2.7", CMOS, Effective pixel:8.29MP |
| Scanning Mode | Progressive |
| Type of Lens Mount | M12 |
| Student Close-up Lens | f=7.37mm, Horizontal FOV: 43° |
| Teacher Close-up Lens | f=12.49mm, Horizontal FOV: 26° |
| Digital Zoom | 2x |
| Minimum Illumination | 0.5Lux |
| Shutter | 1/30s ~ 1/10000s |
| White Balance | Auto, Indoor, Outdoor, One Push, Manual, VAR |
| Digital Noise Reduction | 2D&3D Digital Noise Reduction |
| Backlight Compensation | Support |
| Pan Angle | $\pm 40^\circ$ |
| Tilt Angle | $+5^\circ \sim -30^\circ$ |
| Maximum Rotation Speed | Student Camera: Pan Speed 60°/s,Tilt Speed 30°/s Teacher Camera: Pan Speed 30°/s,Tilt Speed 30°/s |
| Image Flip | Support |
| Image Freeze | Support |
| Preset Position | 255 |
| Preset Accuracy | 0.5° |

▼ CAMERA SPEC OF PANORAMIC CAMERA

| | |
|-------------------------|--|
| Sensor | 1/2.7", CMOS, Effective pixel:8.29MP |
| Scanning Mode | Progressive |
| Type of Lens Mount | M12 |
| Student Panoramic lens | f=2.2mm, Horizontal FOV: 110° |
| Teacher Panoramic lens | f=7.37mm, Horizontal FOV: 43° |
| Minimum Illumination | 0.5Lux |
| Shutter | 1/30s ~ 1/10000s |
| White Balance | Auto, Indoor, Outdoor, One Push, Manual, VAR |
| Digital Noise Reduction | 2D&3D Digital Noise Reduction |
| Backlight Compensation | Support |
| Tilt Angle | $+0^\circ \sim -24^\circ$ |
| Image Flip | Support |
| Image Freeze | Support |

▼ AUDIO

| | |
|---------------------------|---|
| Built-in Array Microphone | 4 Microfen array ¹ , 100Hz to 16kHz frequency response |
| Simulation Audio Input | 1 x LINE In |
| Simulation Audio Output | 1 x LINE Out |
| Digital Audio Interface | 1 x USB audio input output 1 x network audio input output, supports 1588-based audio clock synchronization |

INTERFACE

- 1 — DC 12V
- 2 — LAN
- 3 — USB
- 4 — SDI
- 5 — LINE IN
- 6 — LINE OUT

▼ USB SPEC

| | |
|----------------------------------|--|
| Operating System Supported | Windows® 7 (Only support 1080P and below), Windows 8.1 and above version; macOS™ 10.10 and above version; Google™ Chromebook™ Version 29.0.1547.70 and above version; Linux (Need to support UVC) |
| Hardware Requirements | 2.4 GHz Intel® Core 2 DUO processor or higher; 2 GB memory or higher; USB 3.0 or USB 2.0 interface |
| Color System / Compression | YUY2/MJPEG/H.264 |
| Video Format | Maximum 4K and other different frame rates and resolution video formats |
| USB Video Communication Protocol | UVC 1.1 |
| USB Audio | The maximum 48K sampling rate, supports UAC1.0 |
| UVC PTZ Control | Support |

▼ NETWORK SPEC

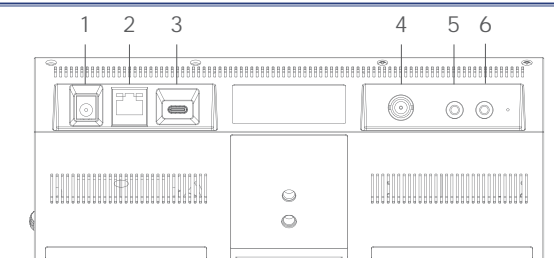
| | |
|--------------------------|--|
| Video Compression | H.265 / H.264 / MJPEG |
| Video Stream | First Stream, Second Stream, Third Stream, Fourth Stream |
| First Stream Resolution | 3840x2160,1920x1080, 1280X720, etc. |
| Second Stream Resolution | 2880x1620, 1920x1080, 1280X720, etc. |
| Third Stream Resolution | 1920X1080,1280X720,1024x576, etc. |
| Fourth Stream Resolution | 1920x1080, 1280x720,1024x576, etc. |
| Video Bit Rate | 32Kbps ~ 16384Kbps |
| Bit Rate Type | VBR, CBR |
| Frame Rate | 25/30fps |
| Audio Compression | AAC/G.711A |
| Audio Bit Rate | 96Kbps, 128Kbps, 256Kbps |
| Support Protocols | TCP/IP, HTTP, HTTPS, NDI, SRT, RTSP, RTMP, Onvif, DHCP, GB28181, Multicast, etc. |

▼ I/O

| | |
|---------------------------------|--|
| USB Interface | 1x USB 3.0; Type-C |
| Network Interface | 1 x RJ45: 10M / 100M adaptive Ethernet; PoE(802.3af), Support NDI ¹ |
| Audio Interface | 1 x LINE In: 3.5mm 1 x LINE Out: 3.5mm |
| Power Interface | DC005 (DC 12V) |
| Reset Button | RESET |
| Infrared Interface ¹ | Support |
| Indicator Light | POWER ,STANDBY |

▼ GENERIC SPEC

| | |
|-----------------------|---------------------------------|
| Input Voltage | DC 12V / PoE (802.3af) |
| Input Current | 1A (Max) |
| Operating Temperature | -10°C ~ 40°C |
| Storage Temperature | -40°C ~ 60°C |
| Power Consumption | 12W (Max) |
| Dimension | 242mm (W) × 86mm (D) × 70mm (H) |
| Net Weight | 0.62kg |
| No Failure Time | 30000h |



CAMERAS

4K All-in-One USB Video Bar

MeetingWindow (RC10)



4K 30fps



All-in-One



121°
Wide Angle



Auto Framing With
AI Technology



Humanoid
Tracking

RC10 is a HD USB audio and video all-in-one machine designed specifically for small and medium-sized meeting rooms. It integrates a HD camera, beamforming microphone, and full-range speaker into one device, effectively reducing installation and wiring while delivering a 4K UHD video conferencing experience. It helps businesses conduct efficient business negotiations and remote team collaborations.



FEATURES

▼ ALL-IN-ONE DESIGN

The design combines a 4K ultra-high-definition camera, array microphone and full-range speaker in one device, reducing wiring and enabling plug-and-play functionality.

▼ 4K-QUALITY IMAGE

Equipped with a next-generation CMOS sensor with 8.51 Megapixels, it delivers clear and sharp 4K@30fps video conference images.

▼ WIDE VIEWING ANGLE AND PANORAMIC COVERAGE

With a wide-angle lens of 121° and 5x zoom, combined with ±15° horizontal and vertical rotation through the pan-tilt mechanism, it can capture a larger number of participants in a single frame.

▼ PROFESSIONAL AUDIO OUTPUT

The full-range high-fidelity speaker, with professional acoustic design, provides deep bass, rich mid-range and clear high-frequency sounds, resulting in natural and authentic voice reproduction.

▼ AI-ASSISTED PHOTOGRAPHY

AI technology recognizes the number and position of participants in the meeting room and automatically adjusts the camera angle for the best composition. It also identifies the speaker's voice source and quickly focuses and tracks their movements.

▼ CLEAR AUDIO PICKUP UP TO 6m

Built-in low-distortion beamforming algorithm and Audio 3A algorithm, ensure clear and full audio pickup within a range of 6 meters, regardless of distance.

▼ SUPPORTS POE CASCADING FOR AUDIO PICKUP

Supports cascading of up to 2 M702 array microphones. Power and audio signal transmission to the microphones are achieved through the POE network port (RJ45). This setup ensures even coverage in larger conference room scenarios, delivering equal and consistent audio pickup for every participant.

▼ SMART GALLERY WITH AI TECHNOLOGY

Equipped with the in-house developed algorithms detecting for head, face, and figure. These algorithms adjust the screen layout according to the number of participants, capturing everyone's facial details clearly and making the conference more vivid. The voice-triggered function can seamlessly switch the main screen from the overall meeting view to a close-up of the speaker, ensuring smoother communication.

Remark:

1. This feature is optional.

SPECIFICATIONS

▼ CAMERA

| | |
|-------------------------|---|
| Video Resolution | 4K@30fps, 1080P@30fps, 720P@30fps, etc. |
| Sensor | 1/2.5", CMOS, 8.51 Megapixels |
| Optical Lens | 121°(DFOV), 110°(HFOV), 5x digital zoom, Level/pitch ±15° |
| PTZ | Mechanical PTZ, Electronic PTZ |
| Backlight Compensation | Support |
| Digital Noise Reduction | 2D&3D Digital Noise Reduction |
| Video S/N | ≥ 55dB |

▼ USB FEATURES

| | |
|----------------------------------|--|
| Operating System | Windows® 7 (only 1080P and below support), Windows 8.1, Windows 10 or higher macOS™ 10.10 Or higher Linux (Support UVC), Android |
| Hardware Requirements | 2.4 GHz Intel® Core 2 Duo processor or higher 2 GB memory or higher USB 2.0 |
| Color System /Compression | MJPEG / YUY2 |
| USB Video Communication Protocol | UVC 1.1 |

▼ AUDIO FEATURE

| | |
|--------------------|-------------------------------------|
| Full Range Speaker | 96 dB SPL at 0.5m |
| Mic-array | Beamforming mic, Pickup distance 6m |
| Expand Mic | Support ¹ |

▼ OTHER

| | |
|----------------------------|---|
| Installation Mode | Supports various installation methods such as desktop placement, wall mounting, and TV mounting |
| Standard Cable | USB 3.0 cable |
| Safety Protection Measures | Anti-theft lock socket design |

▼ INPUT / OUTPUT INTERFACE

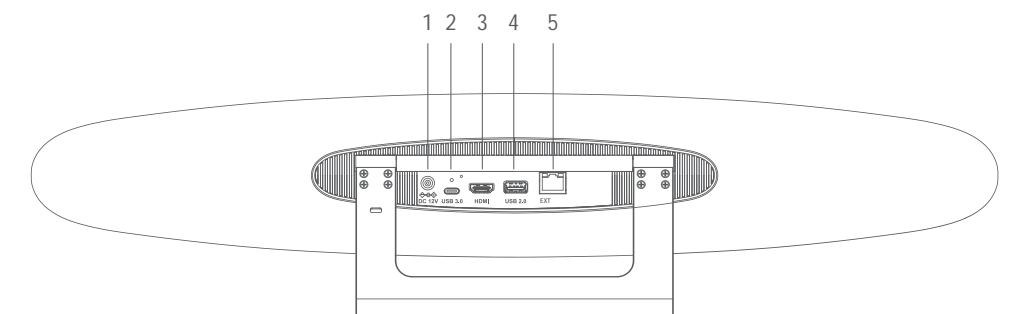
| | |
|-------------------|--|
| HDMI Output | 1x HDMI 1.4b |
| Network Interface | 1x RJ45: 10M/100M Adaptive Ethernet ¹ , support PSE |
| Audio Interface | 1x RJ45: D-MIC, Support Microphone Cascading |
| USB Interface | 1x USB3.0, Type C, 1x USB2.0, Type A |
| Wireless | Bluetooth 5.0 |

▼ GENERAL SPECIFICATION

| | |
|-----------------------|-----------------------------------|
| Power | DC 12V, 2A (Max) |
| Operating Temperature | 0°C ~ 40°C |
| Storage Temperature | -40°C ~ 60°C |
| Dimension | 600mm (W) × 117mm (D) × 135mm (H) |
| Weight | 2.5kg |

INTERFACE

- 1 — DC 12V Power Jack
- 2 — USB 3.0 Interface
- 3 — HDMI Interface
- 4 — USB 2.0 Interface
- 5 — RJ45 Interface



CAMERAS

Mini USB Video Bar

Owl (RC08)



RC08 is a mini USB audio-video all-in-one device designed specifically for small meeting rooms and personal offices. It integrates a HD camera, omnidirectional microphone and full-range speaker in a three-in-one design, greatly simplifying the wiring process. With USB connectivity, it can be used instantly without any configuration, making video conferencing simple and enjoyable.



FEATURES

▼ INTEGRATED BIONIC DESIGN

The integrated design combines a HD camera, highly sensitive omnidirectional microphone and full-range speaker in one device, allowing for easy plug-and-play setup with simple wiring. The unique bionic design provides an excellent audiovisual conference experience.

▼ FULL HD WIDE-ANGLE LENS

Equipped with a high-quality HD CMOS sensor, it offers a maximum output of 1080@30fps/25fps image encoding. The horizontal field of view can reach 90°, ensuring distortion-free images at the edges.

▼ 360° OMNIDIRECTIONAL PICKUP

With a digital microphone, it achieves 360° pickup sensitivity of -30±2dB. The volume automatic gain control algorithm ensures balanced and clear audio pickup from any position.

▼ AUDIO 3A ALGORITHM

It features a built-in Audio 3A algorithm (AEC/AGC/ANS) for full-duplex conversation. It automatically balances volume levels during audio capture while effectively suppressing noise, resulting in clear and balanced sound quality.

▼ HARMAN TUNED SPEAKER

The device uses a Harman-tuned speaker with a ducted sound chamber, delivering excellent playback performance. The high frequencies are clear and penetrating, while the low frequencies are natural and powerful, providing full and clear voice reproduction.

▼ ELECTRONIC PAN-TILT

The device incorporates an electronic pan-tilt mechanism, eliminating the need for mechanical rotating devices. It offers precise rotation, noise-free operation, and enhanced durability. It also supports 4X digital zoom.

▼ PRIVACY COVER DESIGN

The camera is equipped with an integrated sliding privacy cover that can be closed at any time to protect the privacy of participants.

▼ EASY INSTALLATION

It can be easily installed using a damping rotating axis bracket, compatible with almost 100% of the monitors available in the market. The installation process is simple, stable, and reliable.

SPECIFICATIONS

▼ CAMERA

| | |
|----------------------------|--|
| Sensor | 1/2.8", CMOS, 2.07 Megapixels |
| Scanning Mode | Progressive |
| Lens Mount | M12 |
| Lens | Focal length: f=2.8mm, Horizontal field Angle: 90° |
| AF | Support |
| Minimal Illumination | 0.5 Lux @ (F2.0, AGC ON) |
| Shutter | 1/30s ~ 1/10000s |
| White Balance | Auto, Manual, Adjustable color temperature |
| Camera Bracket | Standard equipped damped rotating bracket |
| Physical Privacy Shielding | Support |
| Backlight Compensation | Support |
| Digital Noise Reduction | 2D&3D Digital Noise Reduction |
| Digital Zoom | 4X |

▼ AUDIO FEATURE

| | |
|--------------------|--|
| Audio Algorithm | AEC / AGC / ANS |
| Full-range Speaker | 82dB SPL at 0.5m |
| Microphone | 360° omnidirectional microphone, Sensitivity : -30±2dB |

▼ INPUT / OUTPUT INTERFACE

| | |
|-----|--------------------|
| USB | 1x USB 2.0, Type-C |
|-----|--------------------|

▼ USB FEATURES

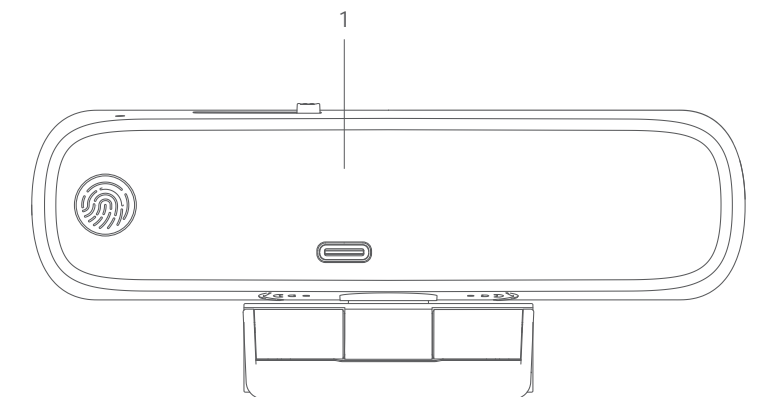
| | |
|----------------------------------|---|
| Operating System | Windows® 7 (only 1080P and below support), Windows 8.1, Windows 10 or higher macOS™ 10.10 Or higher Google™ Chromebook™ Version 29.0.1547.70 or higher Linux (Support UVC) |
| Hardware Requirements | 2.4 GHz Intel® Core 2 Duo processor or higher 2 GB memory or higher USB 2.0 |
| Color System /Compression | YUY2 / H.264 / MJPEG |
| Video Format | 1080P30/25, 720P30/25, 960x540P30/25, 640x360P30/25 |
| USB Video Communication Protocol | UVC 1.1 |
| UAC | Support |
| UVC PTZ Control | Support (ePTZ) |

▼ GENERAL SPECIFICATION

| | |
|-----------------------|---|
| Power | 5V (USB-powered) |
| Input Current | 0.5A |
| Operating Temperature | 0°C ~ 40°C |
| Storage Temperature | -40°C ~ 60°C |
| Power Consumption | 2.5W |
| Dimension | 121mm (W) x 31mm (D) x 35mm (H) (Stent-free) |
| Weight | 0.1kg |

INTERFACE

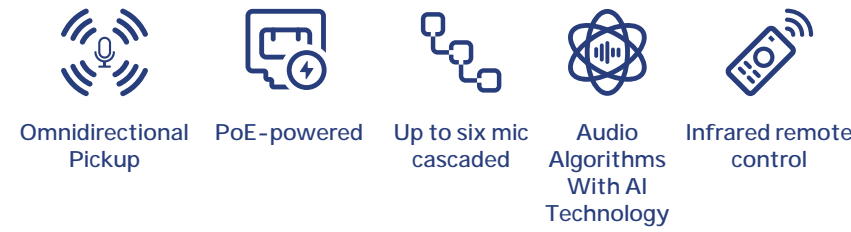
1 — USB Interface



MICROPHONES

Cascading Omnidirectional Digital Array Microphone

Michain (RM702)



RM702 is a digital array microphone designed specifically for corporate business conference communication. It can be flexibly cascaded and expanded according to the conference room space, covering the entire room for audio pickup. Equipped with an audio processing unit and AI audio algorithm capabilities, it effectively eliminates various noises, echoes, feedback and howling in the conference room, providing a high-quality voice communication experience.



RM702A



RM702C

FEATURES

▼ DIGITAL MICROPHONE ARRAY

It features a high signal-to-noise ratio ring-shaped microphone array design, achieving 360° omnidirectional audio pickup. This allows speakers to freely move within a larger range in the room, freeing them from constraints.

▼ PoE CASCADING PICKUP

Each individual microphone has an effective pickup distance of 3m and up to 6 microphones can be cascaded using Power over Ethernet (PoE), enabling distributed audio pickup and uniform coverage in medium to large conference rooms.

▼ LOW-LATENCY AUDIO TRANSMISSION

It has a powerful built-in audio processing unit, eliminating the need for an external audio processor. It offers ultra-low signal transmission latency, ensuring seamless and delay-free remote communication.

▼ MULTIPLE INTERFACE OUTPUTS

It is equipped with standard USB 2.0 and auxiliary audio interfaces, supporting plug-and-play functionality for both digital and analog audio applications.

▼ SOUND SOURCE LOCALIZATION TECHNOLOGY

It utilizes blind beamforming technology to automatically locate the sound source and capture it accurately. It adapts to the acoustic environment and achieves voice enhancement, providing better anti-interference capabilities.

▼ FLEXIBLE INSTALLATION OPTIONS

It supports various installation methods such as desktop placement, ceiling mounting, and suspension. This allows for flexible and quick deployment, reducing maintenance costs.

▼ AI AUDIO ALGORITHMS

It incorporates various AI algorithm technologies such as intelligent tracking, intelligent noise reduction, echo cancellation, automatic gain control and reverberation removal. Even in noisy environments, clear audio can be easily achieved.

SPECIFICATIONS

▼ BASIC PARAMETER

| | |
|------------------------|--|
| Microphone Type | Omnidirectional microphone |
| Microphone Array | Built-in six high signal-to-noise ratio mic form a circular array, 360° Omnidirectional sound pickup |
| Sensitivity | -38 dBFS |
| Signal-to-noise Ratio | 65 dB(A) |
| Frequency Response | 50Hz - 16kHz |
| Sampling Rate | Clear pickup from 3m |
| Echo Cancellation | Support |
| Noise Suppression | Support |
| Automatic gain Control | Support |

▼ CASCADING FUNCTION

| | |
|------------------|----------|
| Cascading Mode | PoE |
| Cascade Quantity | Six sets |

▼ HARDWARE INTERFACE

| | |
|------------------------|--|
| Network Interface | RJ45 upstream and downstream network ports |
| USB | USB Audio interface (Type-C), UAC1.0 agreement |
| Analog Audio Interface | AUX1, AUX2 |

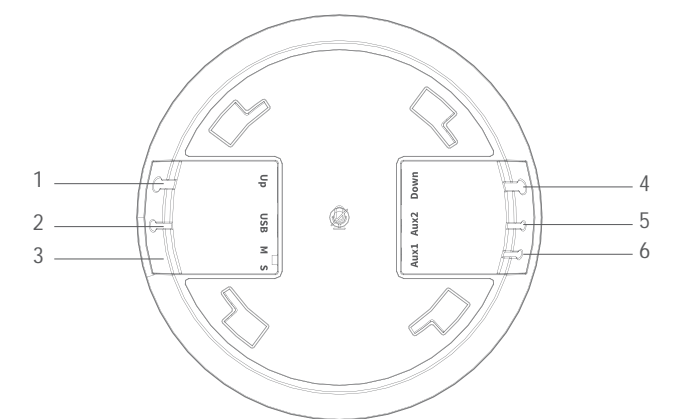
▼ GENERAL SPECIFICATION

| | |
|-------------------|--|
| Power Supply Mode | PoE cascade, 48V power supply, support EEE 802.3 at / USB 5V 500mA |
| Support System | Windows / Mac / Linux |
| Installation Mode | Desktop placement, Suspension mounting |
| Dimension | 170mm (W) × 40mm (H) |
| Weight | 370g |



INTERFACE

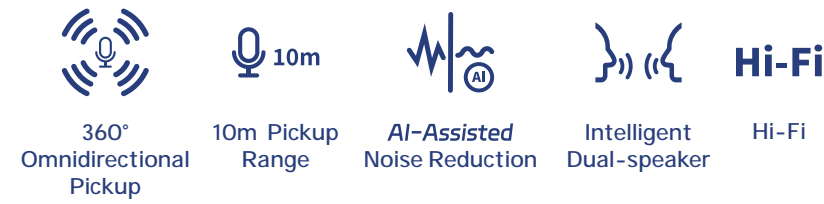
- 1 — Up
- 2 — USB Interface
- 3 — M / S
- 4 — Down Interface
- 5 — Aux2
- 6 — Aux1



MICROPHONES

Smart Conference Speakerphone

SoundMatrix (A10 / A10W)



The A10&A10W is designed specifically for corporate meetings. It features advanced AI audio algorithms that eradicate echo, background noise, and voice reverberation, ensuring clear sound for seamless voice calls. It supports USB wired and wireless connections, plug-and-play. The main microphone can also pair with two extra extension microphones to cover the entire room.



FEATURES

▼ PLUG AND PLAY + HIGH COMPATIBILITY

A10: Connects directly to the conference host via a USB 2.0 data cable, no drivers needed, plug and play.

A10W: A USB dongle connects to the conference host for instant use without pairing. It employs 2.4GHz full-duplex wireless communication between the main microphone and host, integrating frequency-hopping algorithms and signal synchronization to ensure stable real-time transmission of bidirectional audio signals.

▼ LONG RANGE OMNIDIRECTIONAL PICKUP

The main microphone features four high SNR digital microphone arrays for 360-degree omnidirectional sound pickup. Its pickup range is 3 meters and can be expanded with two extension microphones, extending it to 10m.

▼ AI-ASSISTED AUDIO ALGORITHM

The microphone uses AI technology for noise reduction, echo cancellation, and reverberation suppression, ensuring clear sound quality during remote meetings and mimicking face-to-face conversations.

▼ CONSISTENT VOLUME

With an automatic gain control algorithm, the speakerphone adjusts volume levels based on the speaker's voice, ensuring stable and consistent pickup without volume fluctuations that could impact communication efficiency.

▼ ULTRA-HIGH FIDELITY

Featuring high and low-frequency speakers and a resonance chamber design, it delivers deep bass, rich midrange, and clear treble, reproducing lifelike human voices.

▼ LEADING DOMESTIC TECHNOLOGY

Hardware localization rate exceeds 98%, with audio algorithms achieving top-three rankings globally in prestigious competitions like Interspeech, IEEE L3DAS21, and ICASSP2022 AEC Challenge.

▼ ONE-TOUCH CONFERENCE CONTROL

Supports conference operations directly on the microphone, such as call answer/end, volume+/-, mute, etc., making conference control more convenient.

▼ BUSINESS STYLING

Made with an aluminum alloy casing for a high-quality look and feel. Includes wire management grooves and non-slip foot pads at the bottom for stable installation, perfect for different business meeting settings.

Remark:

1. This feature is supported only by A10W.

SPECIFICATIONS

▼ DIFFERENCE

| | A10 | A10W |
|-------------------|--------|---|
| Connection Method | USB2.0 | USB2.0; 2.4G Wireless Connection, Max Transmission Range: 15m |

▼ CONFERENCE CAPABILITY

| | |
|--------------------------------|-----------------------|
| Coverage Area for Sound Pickup | 20-100 m ² |
| Number of Participants | 6-20 People |

▼ MICROPHONE SPECIFICATIONS

| | |
|-----------------------|---|
| Microphone Type | High Signal-to-Noise Ratio Digital Silicon Microphone |
| Microphone Array | Built-in 6(4+2) MEMS Microphones |
| Pickup Range | 360° Omnidirectional Pickup |
| Pickup Distance | 3m optimum pickup range, 10m effective pickup range |
| Sampling Rate | 32 KHz HD Wideband Audio |
| Frequency Response | 50Hz ~ 16kHz |
| Signal-to-noise Ratio | 68 dB(A) |
| Sensitivity | 94 dB SPL @ 1 kHz, -35 dBFS |

▼ SPEAKER SPECIFICATIONS

| | |
|---------------------------|--|
| Speaker Type | Dual-frequency division design, professional academic sound chamber structure, top-tier sound tuning |
| Rated output power | 15W |
| Effective frequency range | 50Hz ~ 20kHz |
| Volume | 89dBA @ 1m |
| THD | < 3% |

▼ SOUND QUALITY

| | |
|-------------------|--|
| Noise Suppression | Supports AI noise reduction, de-reverberation, AI automatic gain control, echo suppression algorithms, and full-duplex processing capabilities |
|-------------------|--|

▼ WIRELESS TECHNOLOGY¹

| | |
|--------------------------------|--|
| Wireless Communication | 2.4GHz wireless communication, 48K sampling rate |
| Wireless Transmission Distance | Up to 15 meters (tested in office environment), Operating Frequency: 50Hz / 60Hz |

▼ HARDWARE INTERFACES

| | |
|-------------------|--|
| Power Supply | Operating Voltage: AC 100V ~ 240V, DC 12V Operating Frequency: 50Hz / 60Hz |
| Supported Systems | Windows / Mac / Android / Linux |
| USB Interface | USB 2.0 Type-C / Type-A: (1 * computer interface, used for connecting PC and other devices for audio input/output); UAC 1.0 (2 * extension microphone interfaces, used for connecting extension microphones) |
| Indicators | Circular indicator light strip, various color combinations, easy to identify the current status of the microphone |
| Buttons | Touch-sensitive buttons (volume+, volume-, mute, hang up, dial) |

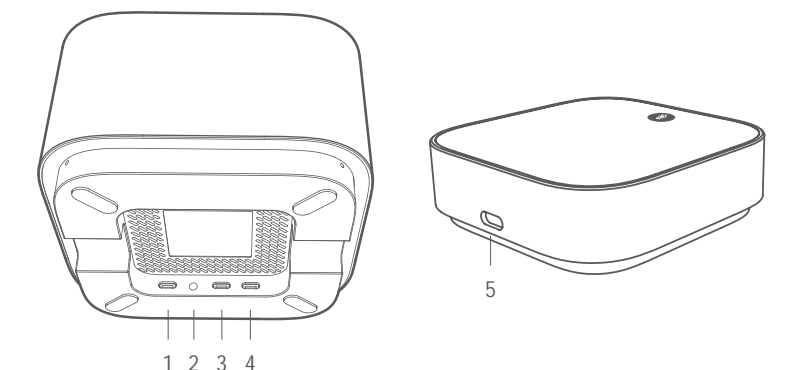
▼ GENERAL SPECIFICATION

| | |
|--------------------------|--|
| Bare Machine Dimensions | Master microphone:150mm (L) × 150mm (W) × 85mm (H) Expand microphone:80mm (L) × 80mm (W) × 25mm (H) Wireless Adapter: 93mm (L) × 28mm (W) × 13mm (H) |
| Packaging Dimensions | 297 × 248 × 125mm |
| Bare Machine Weight | Master microphone:1.24 kg Expand microphone:0.13 kg × 2 Wireless Adapter: 0.038g |
| Total Weight | 2.35 kg |
| Environmental Conditions | Temperature: 0°C ~ 40°C (Operating), -40°C ~ 60°C (Non-operating) Relative Humidity: 45% ~ 90% (Operating), 30% ~ 90% (Non-operating) |



INTERFACE

- 1 — Expand Mic Interface
- 2 — Power Jack
- 3 — USB Interface
- 4 — Expand Mic Interface
- 5 — Expand Mic Interface



MICROPHONES

Omnidirectional Bluetooth Speakerphone

M300



Omnidirectional Pickup



3m pickup distance



Full Duplex Audio



Bluetooth5.0



Reverse charging

M300 is a portable USB omnidirectional microphone designed specifically for small conference rooms, individual offices of business professionals and mobile meetings during business trips. It can quickly connect to computers and smartphones via Bluetooth or USB, its built-in intelligent noise reduction algorithm effortlessly blocks environmental noise, allowing for easy and smooth meetings anytime, anywhere.



FEATURES

▼ PLUG-AND-PLAY

The microphone can be quickly connected to computers and smartphones via Bluetooth or USB without the need for drivers or manual configuration. It is ready to use as soon as it's plugged in, making it convenient for meetings while on business trips.

▼ INTELLIGENT CONNECTIVITY

The microphone can be paired with two external devices via Bluetooth. It can also simultaneously handle mixed meetings with devices connected via Bluetooth and USB.

▼ 360° OMNIDIRECTIONAL PICKUP

It features a built-in circular array consisting of four groups of high signal-to-noise ratio microphones, enabling 360° omnidirectional audio pickup that covers conference room spaces of 15-30 square meters.

▼ 5m EFFECTIVE PICKUP RANGE

Equipped with full-duplex audio technology, as well as noise reduction, echo cancellation and automatic gain algorithms, the microphone ensures clearer audio pickup and balanced volume levels.

▼ BLUETOOTH 5.0 TRANSMISSION

Compared to Bluetooth 4.0, Bluetooth 5.0 offers twice the transmission speed and four times the transmission distance, achieving high-quality audio signal transmission.

▼ LARGE BATTERY CAPACITY

It has a built-in 6500mAh high-capacity battery for longer battery life.

▼ SUPPORT FOR REVERSE CHARGING

It supports emergency reverse charging of devices such as smartphones via USB, with multiple circuit protections for enhanced safety.

▼ BAR-SHAPED INDICATOR LIGHTS

It is equipped with a bar-shaped RGB indicator light that uses various colors to display the current battery level, volume, incoming calls, mute status and other working states, making it easy for users to identify the device's status.

SPECIFICATIONS

▼ CONFERENCE ABILITY

| | |
|--------------|-------------|
| Covered Area | 150-300 sqf |
| Participants | 6-12 People |

▼ AUDIO FEATURES

| | |
|------------------------|---|
| Audio Feature | 32K Sampling Rate, High-definition Broadband Audio, Full-duplex Voice |
| USB Protocol | UAC 2.0 |
| Echo Cancellation | Support |
| Noise Suppression | Support |
| Automatic gain Control | Support |

▼ INTERFACE

| | |
|-----------------|--|
| Wireless | Built-in Bluetooth 5.0; Support AVRCP, A2DP, HFP and SBC codec standard protocol |
| USB | USB data communication, audio input/call |
| Audio Interface | AUX output, connect the speakers using a 3.5mm audio cable for music playback |
| Power Jack | Input: M300 device is powered by an external power source through the USB Type-C port. Output: M300 charges external devices such as smartphones through the USB Type-A port. |
| Button | Tactile button (with LED indicator for mute) |

▼ GENERAL SPECIFICATION

| | |
|-----------------------|--|
| Battery | Battery specification: 6500mAh Full charge time: 4 hours (5V/2A) Maximum charging current: 2A Call duration: 24 hours |
| Dimension | 124m (W) × 124mm (D) × 32mm (H) |
| Weight | 0.32 kg |
| Operating Temperature | 0° C ~ 40° C |
| Storage Temperature | -40° C ~ 60° C |

INTERFACE

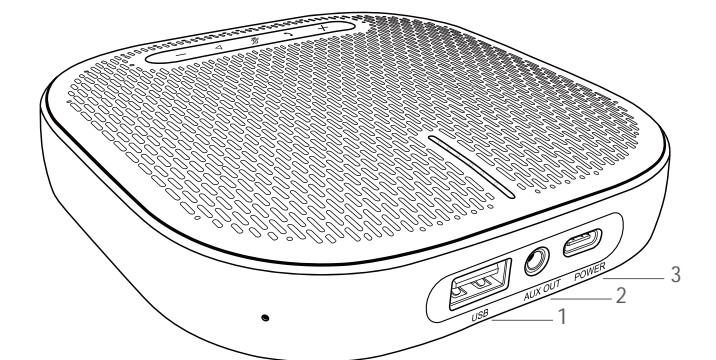
- 1 — USB
- 2 — AUX OUT
- 3 — Power Jack

▼ MICROPHONE

| | |
|-----------------------|---|
| Microphone Type | Omnidirectional microphone |
| Microphone Array | Internal four microphones forming acircular array |
| Pickup Distance | 3m |
| Frequency Response | 100Hz~8kHz |
| Signal-to-noise Ratio | 65dB |

▼ SPEAKERPHONE

| | |
|-------------------|--|
| Speakerphone Type | Full-range speaker |
| Sensitivity | 0.5m 88 dB SPL |
| Power Consumption | Maximum Output Power: 5W Effective Power: 3W |
| Frequency Range | Call Mode: 150Hz ~ 8kHz; Music Mode: 20Hz ~ 20kHz |
| Volume | 84dBA (1m) |



MICROPHONES

Extend Microphone

RM10



360° omnidirectional pickup



6m Pickup distance



Small and Convenient

RM10 is a portable and compact extension microphone designed for business professionals in personal offices, travel meetings, and other on-the-go scenarios.



FEATURES

▼ COMPACT AND LIGHTWEIGHT, EASY TO CARRY

RM10 has a diameter of only 10cm, making it very small and convenient to carry in your pocket for on-the-go use.

▼ SIMPLE AND EASY CONNECTION, PLUG AND PLAY

It uses a USB connection, allowing you to directly connect it to a computer, tablet, or video conferencing terminal without the need for drivers. It is compatible with various operating systems and software, suitable for daily applications.

▼ 360° OMNIDIRECTIONAL PICKUP

RM10 adopts a circular microphone array design, enabling 360° omnidirectional pickup within a radius of 6m. With a 5m USB cable, it can cover the pickup needs of the entire meeting room.

▼ INTELLIGENT NOISE REDUCTION

It is equipped with built-in intelligent noise reduction algorithms, providing strong anti-interference capability and delivering clear, natural and balanced sound quality, ensuring a high-quality voice communication experience.

SPECIFICATIONS

▼ CONFERENCE ABILITY

| | |
|--------------|-------------|
| Covered Area | 150-300 sqf |
| Participants | 5~8 People |

▼ HARDWARE INTERFACE

| | |
|-----------|--------------------------|
| Power | USB: 5V DC |
| Interface | USB ×1 |
| Button | Glowing silent button ×1 |
| Cable | 5m |

▼ PRODUCT COMPONENT

| | |
|--------------|---|
| Dimension | 48mm × 20mm (Φ100mm×20mm) |
| Weight | 0.15kg |
| Product List | Extend Microphone, USB cable, User's manual |

▼ GENERAL SPECIFICATION

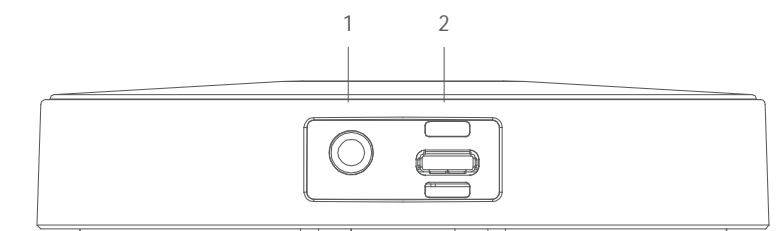
| | |
|-----------------------|------------------------------|
| Operating Temperature | 0° - 40° C |
| Humidity | 5% - 95% (Condensation free) |
| Storage Temperature | -20° - +70° C |

▼ MICROPHONE

| | |
|---------------------------|---|
| Pickup Distance | 6m |
| Frequency Response | 100-10kHz |
| Pickup Range | 360° Omnidirectional sound pickup |
| Sensitivity | - 40.5 dB (V/Pa) |
| Signal-to-noise Ratio | 64dBA |
| Total Harmonic Distortion | 10% (1kHz, 120dB SPL) |
| Compatibility | Compatible with popular operating systems, Windows XP/Vista/7/8/10/ Linux/Android |

INTERFACE

- 1 — USB
- 2 — AUX



MICROPHONES

Ceiling Contactless Voice Amplifier Microphone

RM80



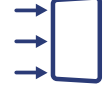
Hands-free Contactless



Long Pickup Distance



Howling Suppression



Voice Fence



Self-adaptive Debugging-free

Designed specifically for the amplification needs of regular classrooms, it consists of an RM80 invisible amplification microphone and a set of digital powered speakers, making installation and deployment simple. The microphone incorporates audio processing algorithms, eliminating the need for additional audio processing equipment, to deliver clear and natural sound quality evenly distributed throughout the classroom. Teachers do not need to carry or adjust any sound pickup devices, allowing them to focus on teaching. Students can easily hear the lecture clearly from any position in the classroom, facilitating learning.



FEATURES

▼ CONTACTLESS USE, FREE YOUR HANDS

No need to hold or wear sound pickup equipment, and no need to charge and maintain. Equipped with an infrared remote control, one-click controls the switch and adjusts the volume, freeing your hands and using it more contactless.

▼ LONG-DISTANCE SOUND PICKUP, FREE MOVEMENT

The microphone has seven built-in digital microphone arrays, which can achieve effective sound pickup in an 8-meter radius towards its directional area (3 meters or optimal sound pickup), automatically shielding noise interference outside the area.

▼ CLEAR SOUND PICKUP AND COMFORTABLE LISTENING EXPERIENCE

Built-in audio processor, equipped with environment adaptive algorithm, howling suppression, automatic gain algorithm, etc. Automatically eliminate noise and dereverberation, 18ms ultra-low latency, and more comfortable listening.

▼ VOICE FENCE ALGORITHM, ISOLATE NOISE INTERFERENCE

Developed a noise barrier system to isolate interference. Microphones are capable of forming virtual walls at pre-set boundaries of the designated sound pick-up area, capturing sounds within the wall while blocking out external interference. The suppression of external interference exceeds 30dB, with an effective working distance of 2m (optimal performance typically within 1m).

▼ HEALTHY SOUND AMPLIFICATION, BETTER THAN THE NATIONAL STANDARD

Paired with digital active speakers, the amplification volume is 6dB higher than the national amplification standard (increased by 8dB). Complying with the national healthy acoustic environment standards, it can provide clear and balanced sound amplification anywhere in the classroom.

▼ SIMPLE DEPLOYMENT AND EASY MAINTENANCE

The microphone wiring is simple, powered by a USB cable, used by connecting the 3.5mm audio cable to the speaker. No complex wiring installation, and no debugging is needed, which saves labor costs.

SPECIFICATIONS

▼ MICROPHONE

| | |
|-----------------------|--|
| Microphone Type | Build In Two Digital Microphone Arrays |
| Sensitivity | -38 dBFS |
| Signal-to-noise Ratio | 65 dB(A) |

▼ HARDWARE INTERFACE

| | |
|--------------|--|
| Audio Output | 2x 3.5mm Spk-Out Linear output |
| Audio Input | 1x 3.5mm Line-In interface |
| USB | Supports software upgrades and parameter configuration |

▼ AUDIO FEATURES

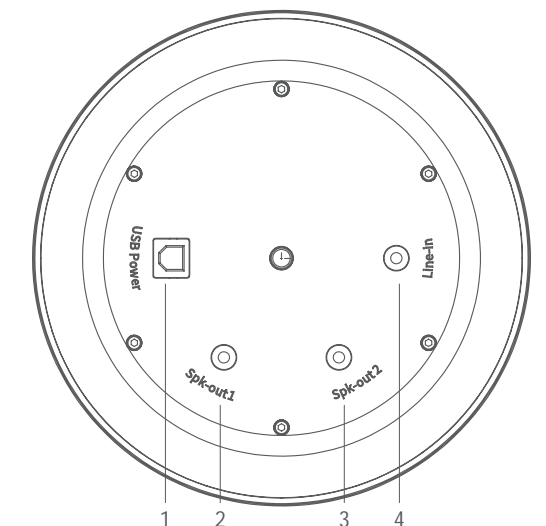
| | |
|-------------------------------------|--|
| Frequency Response | 100Hz - 8kHz |
| Sampling Rate | 16K samples , High definition wideband audio |
| Pickup Distance | 3m Clear Pickup (Cardioid pickup) |
| Beam Forming | Adaptive Beam |
| Automatic Feedback Suppression | Support |
| Automatic Noise Suppression | Support |
| Automatic Gain Control | Support |
| Automatic Reverberation Suppression | Support |

▼ GENERAL SPECIFICATION

| | |
|-----------|----------------------|
| Power | USB 5V Power |
| Dimension | Φ 155.9mm x H 38.2mm |

INTERFACE

- 1 — USB Power
- 2 — Spk-out
- 3 — Spk-out
- 4 — LINE IN



Video Conferencing PC

RoomPartner / RoomPartner Pro (RP1 / RP1S)



RP1/RP1S is a video conferencing hub designed exclusively for enterprise remote communication and collaboration. With its compact form factor, it serves as a space-efficient alternative to traditional desktop PCs, ensuring it doesn't occupy excessive meeting space. Running on the Windows operating system and powered by a high-performance Intel Core processor, with 16GB of RAM and 128GB of storage, it delivers stable, high-speed audio and video encoding capabilities, providing secure and reliable video conferencing services for small, medium, and large meeting scenarios.



RP1



RP1S

FEATURES

▼ EXCEPTIONAL PERFORMANCE

Powered by Intel Core chips, our robust computing power guarantees a more stable operation of the cloud video conferencing system, capable of withstanding extended meetings.

▼ AUTO POWER-ON

Once connected to the power source, the video conferencing hub automatically starts up, eliminating the need to press the power button and ensuring a smoother meeting experience.

▼ MULTI-SCREEN DISPLAY

Supporting up to 3 HDMI outputs (2 for RP1), you can effortlessly connect to commercial displays and monitors for extended screen display. This allows you to not only show meeting content but also easily share documents.

▼ COMPACT DESIGN

The compact form factor of the hub allows for easy portability and can be placed on a desktop or discreetly mounted behind a monitor, helping to keep your meeting room neat and organized.

▼ ABUNDANT INTERFACES

Featuring HDMI, USB, LAN, PoE, Audio, and more interfaces, it can seamlessly connect to commercial displays, monitors, microphones, and other devices, catering to a wide range of meeting scenarios.

▼ PRE-INSTALLED SOFTWARE

You have the option to pre-install leading cloud video conferencing software like VooV Meeting Rooms, Lark Meeting Rooms, Zoom Rooms, and more. Just log in to your account, and you're ready to use them.

SPECIFICATIONS

| ▼ DIFFERENCE | RP1 | RP1S |
|----------------------|---|---|
| CPU | 8th Gen Intel® Core™ i5-8259U, 2.3 GHz (3.8GHz) | 11th Gen Intel® Core™ i5-11300H, 3.1 GHz (4.4GHz) |
| GPU | Intel® Iris® Plus Graphics | Intel® Iris® Xe Graphics |
| RAM | 16GB | 2*8GB (Dual channel) |
| Network | Intel® 10M/100M/1000M Adaptive | Intel® 10M/100M/1000M Adaptive Realtek® 10M/100M/1000M Adaptive(POE) |
| BT | Bluetooth 5.2 | Bluetooth 4.2 |
| PoE | - | Support |
| Multi-screen display | Dual-Screen | Triple-Screen |
| HDMI | HDMI Out×2 (HDMI1.4b×2),VGA×1 (D-Sub×1) | HDMI In×2 (HDMI2.0×1,HDMI1.4b×1) HDMI Out×3 (HDMI2.0×3) |
| Audio | 3.5mm Phone Jack×1 (Two-in-one interface) | 3.5mm Phone Jack In×1 3.5mm Phone Jack Out×1 |
| USB | USB3.0×4; Type-C×1 | USB3.0×3; USB2.0×1; Type-C×1 |
| Dimension | 130mm (W) × 126mm (D) × 51mm (H) | 225mm (W) x 142mm (D) x 40mm (H) |
| Weight | 450g | 800g |

▼ SYSTEM

| | |
|---------------|----------------------|
| OS | Windows 10 |
| Storage | SATA/PCIe SSD, 128GB |
| Auto Power On | Support |

▼ CONFERENCING SOFTWARE

| | |
|---------------------|--|
| Software (Optional) | Zoom Rooms VooV Meeting Rooms Lark Rooms |
|---------------------|--|

▼ WIRELESS

| | |
|----------|------------------------------------|
| Wireless | Intel® Wi-Fi5 (802.11ac), 2.4/5GHz |
| LAN | Intel® 10M/100M/1000M Adaptive |

▼ OTHER INTERFACE

| | |
|-----------------------|--------------|
| Input Voltage | DC 19V |
| Input Current | 3.42A |
| Operating Temperature | 0°C - 40°C |
| Storage Temperature | -20°C - 60°C |
| Power Consumption | 65W |
| MTBF | >30000h |

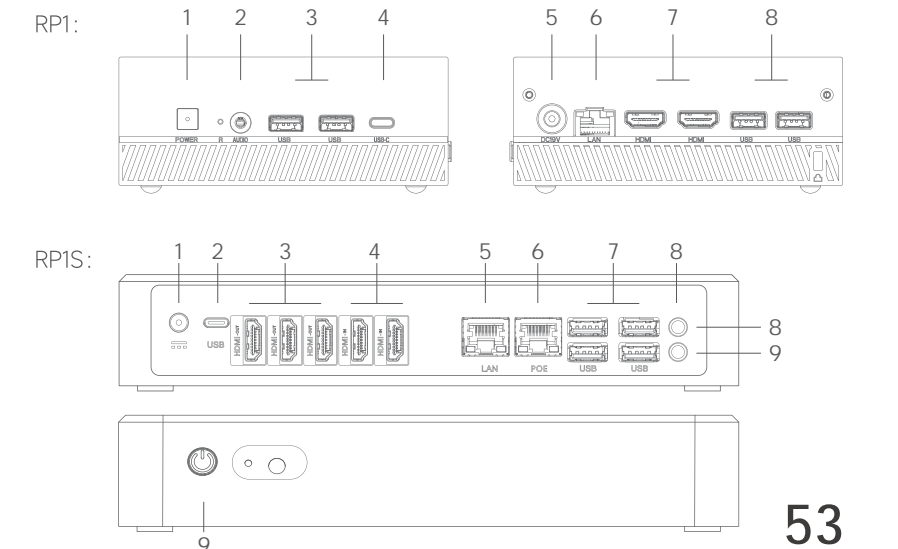
INTERFACE

RP1:

- 1 — POWER
- 2 — 3.5mm AUDIO
- 3 — USB-A 3.0
- 4 — USB-C
- 5 — DC 19V
- 6 — LAN
- 7 — HDMI OUT
- 8 — USB-A 3.0

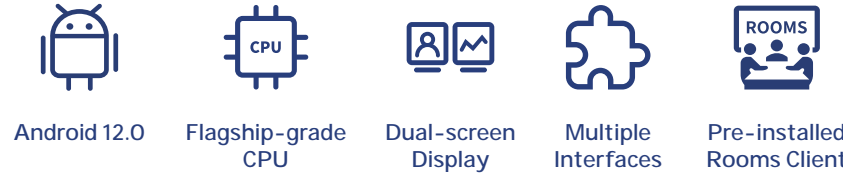
RP1S:

- 1 — DC 19V
- 2 — USB-C
- 3 — HDMI OUT
- 4 — HDMI IN
- 5 — LAN
- 6 — PoE
- 7 — USB-A
- 8 — LINE OUT
- 9 — LINE IN
- 10 — POWER

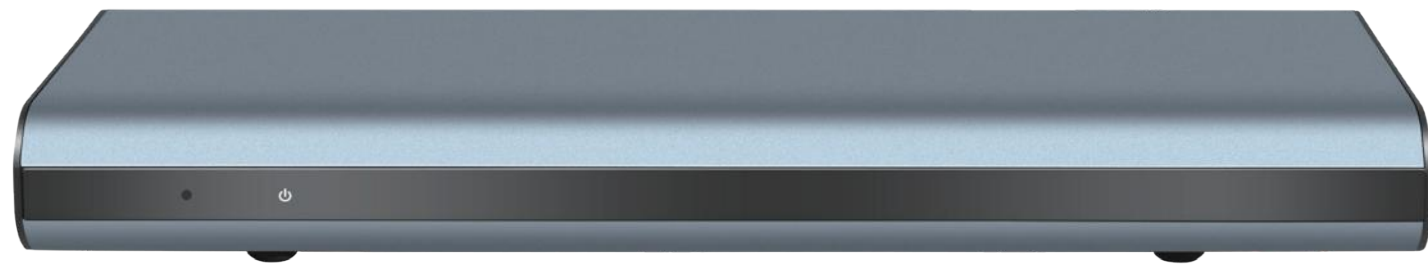


Video Conferencing Terminal

RP3



The RP3 is an Android-based conferencing host for meetings, remote collaboration, and learning scenarios. The lightweight design and flexible deployment make it ideal for various settings. Powered by a processor and running on Android 12, RP3 integrates with ZOOM Rooms. With Strong audio and video decoding capability, the terminal provides a safer and smoother operating environment.



FEATURES

▼ FLAGSHIP-GRADE CPU

Equipped with an 8-core 64-bit CPU, a 4-core GPU, and a 6TOPs AI NPU, the RP3 delivers robust hardware encoding and decoding for audio and video. Powerful digital audio and video processing ensures a stable and smooth collaborative meeting experience.

▼ INPUT TWO VIDEO STREAMS SIMULTANEOUSLY

Supports simultaneous USB primary video and HDMI secondary stream input, ideal for wired screen mirroring and specialized dual video stream capture scenarios, enhancing meeting flexibility.

▼ DUAL-SCREEN DISPLAY

Supports two 4K@60fps video signal output channels, enabling synchronous presentation of meeting scenes and shared documents/videos/images, enhancing meeting efficiency.

▼ 3A AUDIO PROCESSING

The RP3 features built-in AGC, AEC, ANC, and other audio algorithms, providing full-duplex intelligent audio processing services for audio peripherals and clearer and more natural sound.

▼ CUSTOMIZATION AND INTEGRATION

Equipped with an Android 12 system optimized for video applications and integrated with Zoom Rooms SDK, it provides a smooth conferencing experience.

▼ MULTIPLE INTERFACES

Supports USB 3.0, DMIC/Touch, PoE, and other expansion interfaces, enabling PoE connection to conference control tablets or cascading microphones and more.

SPECIFICATIONS

▼ HARDWARE

| | |
|-----------------------------|---|
| Processor | Octa-core 64-bit SoC processor Quad-core Cortex-A76+ Quad-core Cortex-A55 Clock speed: 2.2GHz, AI acceleration NPU computing power: 6TOPs |
| Display | Built-in quad-core graphics processor: ARM Mali-G610 MP4 Supports dual-channel 1080p@30fps H.264/H.265 video encoding and decoding Supports up to 4K@60fps video output |
| Memory | LPDDR4-2133,4GB |
| Storage | EMMC5.1,16GB |
| Power Button | Touch power button with LED indicator |
| Controller | Standard infrared remote control, supports expandable room controllers |
| Multi-screen Output | Dual-screen dual-display |
| Screen Casting Method | Supports HDMI wired screen casting and wireless screen casting for conferencing |
| Audio Processing Capability | AEC, AGC, ANS |

▼ NETWORK

| | |
|----------|---|
| Ethernet | 10M/100M/1000M auto-negotiation |
| Storage | Wi-Fi6 (IEEE802.11ax),2.4/5GHz Bluetooth 5.3 |

▼ SOFTWARE

| | |
|------------------------|---------------------------------|
| OS | Android 12.0 |
| Pre-installed Software | Pre-installed Zoom Rooms Client |

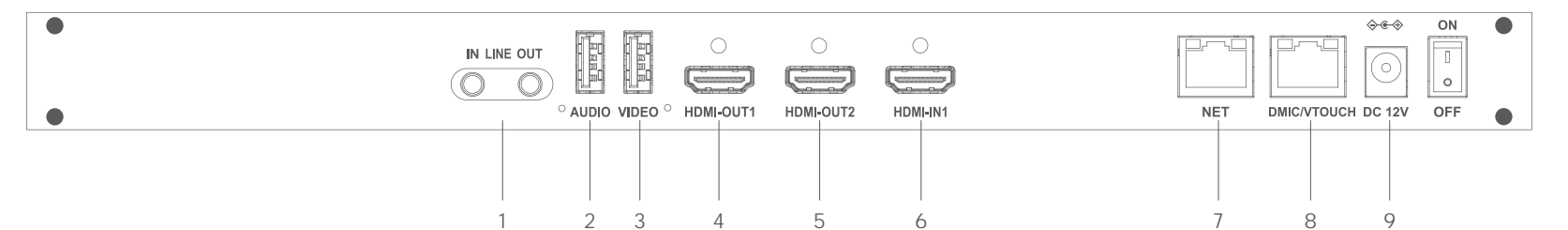
▼ I/O

| | |
|------------------------------|--|
| Video Input | Video(USB 3.0)x 1,HDMI 2.0 x 1 |
| Video Output | HDMI 2.0 x 2 |
| Audio Input | Audio(USB 3.0)x 1,3.5mm Phone Jack x 1,HDMI 2.0 x 1,D-MIC x 1 |
| Audio Output | 3.5mm Phone Jack x 1,HDMI x 2 |
| USB | USB 3.0 Type-A x 3 |
| Ethernet | RJ45 x 1 |
| Digital Microphone Interface | RJ45 x 1(PoE+/25W)(To be upgraded) |
| Control Interface | RJ45 x 1 (Conference room controller, repurposed D-MIC interface, PoE) |
| Power | 5.5/2.1mm DC Jack x1 |

▼ GENERAL SPECIFICATIONS

| | |
|-----------------------|--|
| Input Voltage | DC 12V (Power adapter input: 100~240V 50/60Hz) |
| Input Current | 2.0A |
| Operating Temperature | 0°C ~ 40°C |
| Storage temperature | -40°C ~ 70°C |
| Power Consumption | 24W |
| MTBF | >30000h |
| Host Dimensions | 348mm (W) x 148mm (D) x 37mm (H) |
| Packaging Dimensions | 413mm (W) x 334mm (D) x 126mm (H) |
| Product Net Weight | 1.4kg |
| Packaging Weight | 2.2kg |

INTERFACE



- 1 — LINE IN/OUT
- 2 — AUDIO
- 3 — VIDEO

- 4 — HDMI-OUT1
- 5 — HDMI-OUT2
- 6 — HDMI-IN1

- 7 — NET
- 8 — DMIC/VTOUCH
- 9 — DC

Rooms Controller

RT10



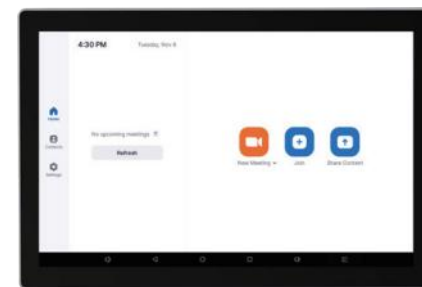
A remote meeting controller designed exclusively for enterprise video conferencing management. Preloaded with popular video conferencing software controls, simply pair it to initiate, join, manage, and conclude meetings, along with screen sharing and more. No more need for constant device handling – it significantly enhances meeting efficiency.



VooV Meeting Rooms



Lark Rooms



Zoom Rooms

FEATURES

▼ ANDROID TOUCHSCREEN DISPLAY

With the Android operating system, it's easy to get started. Featuring a spacious 10.1-inch capacitive touchscreen that supports multi-touch, providing a convenient and smooth user experience.

▼ ONE-CLICK MEETING CONTROL

Pre-installed with popular meeting applications like Zoom, VooV Meeting, Lark, and more, making it a breeze to manage your video conferences with just one click.

▼ ADJUSTABLE VIEWING ANGLE

Equipped with a built-in multi-angle adjustable stand, ensuring a clear view of the screen from various seating positions.

▼ VERSATILE POWER OPTIONS

Easily power the device through USB and PoE interfaces for added convenience.

SPECIFICATIONS

▼ HARDWARE PLATFORM

| | |
|------------------|--|
| Operating System | Android 9.0 |
| CPU | Amlogic A311d, 4xCortex-A73+2xCortex-A53 |
| GPU | ARM G52 MP4(6EE), OpenGL ES 3.2, Vulkan 1.1, OpenCL 2.0 |
| Storage | 4G RAM+16GB ROM |
| Codec | Encoder: H.264/H.265 1 x 1080P@60fps Decoder: VP9 Profile-2 up to 4Kx2K@60fps H.265 HEVC MP-10@L5.1 up to 4Kx2K@60fps AVS2-P2 Profile up to 4Kx2K@60fps H.264 AVC HP@L5.1 up to 4Kx2K@30fps H.264 MVC up to 1080P@60fps |
| Wi-Fi | IEEE802.11a/b/g/n/ac, WPA, WPA2 |
| Bluetooth | BT 5.0 |

▼ VIDEO SPECIFICATIONS AND FEATURES

| | |
|--------------|---|
| Touch Screen | 10.1-inch IPS touch screen, Multi-Touch Resolution: 1920x1200 (1280x800 optional) Visual Angle: 170 degrees Brightness: 300cd/m ² (typ) |
|--------------|---|

▼ INTERFACES

| | |
|-------------------|--|
| USB Interface | 1 x USB 2.0 Type-C (device); 1 x USB 2.0 Type-A |
| Network Interface | 1 x RJ45: 10/100/1000 Base-T 1 x 2.4G/5G WiFi5 |

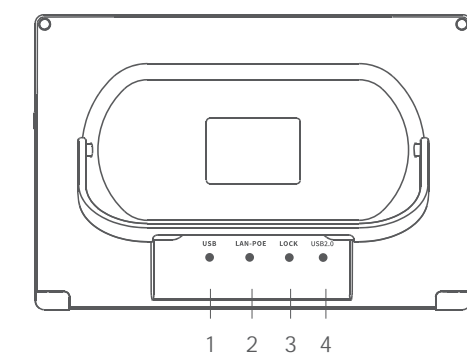
▼ PHYSICAL CHARACTERISTICS

| | |
|-----------------------------|--|
| Dimensions | 243mm (W) x 164mm (D) x 33mm (H) |
| WIFI Frequency | 2.4G&5G Dual frequency |
| Micphone | Pickup range of 2 meters |
| Speaker | 1 x 1.5W |
| Environmental Specification | Operating temperature: 0°C to 40°C Operating humidity: 10% to 80% Non-Operating temperature: -40° to -70°C Non-Operating humidity (non-condensing): 0% to 95% |
| Approval and Compliance | CQC RoHS |



INTERFACE

- 1 — Power Jack
- 2 — LAN (PoE Support)
- 3 — LOCK
- 4 — USB 2.0

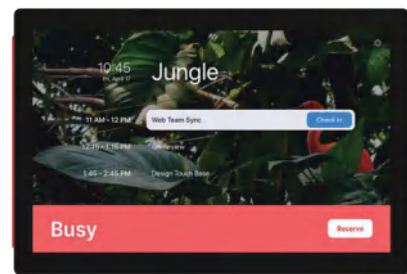


Rooms Controller

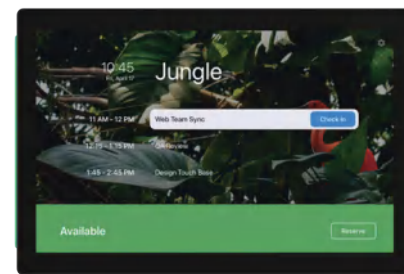
RT13

The RT13 is a schedule panel designed specifically for enterprise conference room management. It displays real-time information about room usage and meeting details through screens and LED strips, enhancing conference room utilization efficiency.

- 
10.1" Screen
- 
IPS Touch Screen
- 
PoE
- 
Conference Schedule
- 
Software Pre-install



Current Usage



Free Time

FEATURES

▼ FULL HD TOUCHSCREEN

Experience a crystal-clear display and smooth operation with the 10.1-inch IPS Full HD touchscreen powered by a hexa-core processor.

▼ MEETING STATUS INDICATION

The dual-sided tricolor LED strips allow real-time synchronization to display the status of conference rooms as available, reserved, or occupied. With those indications, users can quickly confirm room status from a distance.

▼ REMOTE POWER SUPPLY AND MANAGEMENT

The device supports PoE and network connectivity, simplifying the wiring.

▼ HIGH COMPATIBILITY

Users can select pre-installed apps like DingTalk Smart Conference Room, Feishu Meeting Room Check-in Board, Zoom Rooms Controller, etc. These apps seamlessly integrate with video meeting management platforms, enhancing meeting efficiency.

▼ DIVERSE INSTALLATION OPTIONS

The camera features standard VESA hole positions for installation on various surfaces such as walls, glass, doors, and window frames. Equipped with a back panel with cable management functionality, it supports horizontal and vertical screen installation.

SPECIFICATIONS

▼ DISPLAY

| | |
|-------------------|-------------------------|
| Screen | 10.1-inch, IPS |
| Screen Type | IPS Multi-touch Display |
| Resolution | 1920 x 1200 |
| Display Luminance | 300 cd/m2 (typ) |
| Display Ratio | 16:10 |
| Viewing Angle | 170° |

▼ HARDWARE

| | |
|--------------------|--|
| CPU | hexa-core, 4 x Cortex A73 + 2 x Cortex A53 |
| Memory | 4GB |
| Storage | 16GB |
| Image Processor | ARM G52 MP4 |
| OS | Android 9.0 |
| Speaker | 1 x 1.2W |
| Microphone | Built-in |
| Status Light Strip | Built-in Dual-Side Indicator Light Strip |

▼ SOFTWARE

| | |
|-------------------------------------|--|
| Pre-installed Software (choose one) | DingTalk Intelligent Conference Room APK (to be upgraded) Feishu Meeting Room Check-in Board APK Zoom Rooms Controller APK |
|-------------------------------------|--|

▼ MULTIMEDIA

| | |
|-----------------------|---|
| Video Coding Format | H.264/H.265, Supports up to 1080P60 |
| Video Decoding Format | VP9 / H.265 / H.264 / AVS2-P2, Supports up to 4Kx2K@60fps |
| Picture Format | JPEG, JPG, PNG, BMP and other common formats |

▼ NETWORK

| | |
|-----------|---------------------------------|
| WIFI | IEEE802.11a/b/g/n/ac, WPA, WPA2 |
| Ethernet | 10/100 MBaseT |
| Bluetooth | BT5.0 |
| PoE | Support |

▼ I/O

| | |
|------|---|
| USB | 1 x USB2.0 Type-C (Supports power supply and data transmission) |
| RJ45 | 1 x RJ45 (PoE): 10/100 Base-T |

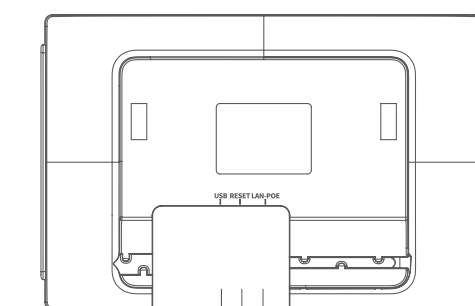
▼ GENERAL SPECIFICATIONS

| | |
|-----------------------|----------------------------------|
| Input Voltage | DC 5V / PoE (802.3af) |
| Input Current | 3.0A |
| Operating Temperature | 0°C ~ 40°C |
| Storage Temperature | -40°C ~ 60°C |
| Working Humidity | 10% ~ 80% |
| Storage Humidity | 0% ~ 95% |
| Power Consumption | 12W |
| MTBF | >30000Hours |
| Dimension | 242mm (W) x 162mm (D) x 29mm (H) |
| Net Weight | 800g |



INTERFACE

- 1 — USB
- 2 — RESET
- 3 — LAN-PoE



1 2 3

Hi-Fi Speaker

S22



Detachable design



Powerful Speaker

Hi-Fi

Hi-Fi



Multiple Mounting Options

S22 is a sound column active speaker tailored for medium to large conference room settings. Compact in design, it supports modular and separable deployment, comes with an inbuilt high-power digital amplifier, and boasts high amplification gain to effectively cover the entire venue. The two-way frequency division design for treble and bass guarantees clear and full sound quality, authentically reproducing the conference's original audio.



FEATURES

▼ AUTHENTIC SOUND REPLICATION

Featuring a two-way frequency division with a tweeter (10W) and a woofer (15W), coupled with low-distortion amplifiers tuned by audio experts, it covers the full sound spectrum. The sound is rich with deep bass, full midrange, and clear highs, ensuring that participants hear the most authentic sounds.

▼ PROFESSIONAL ACOUSTIC DESIGN

The columnar enclosure is compact and space-efficient, breaking away from conventional designs, reducing enclosure vibration, and effectively minimizing noise and distortion.

▼ HIGH VOLUME, FULL COVERAGE

Equipped with a high-performance digital amplifier, it delivers 50W of rated sound reinforcement power, enabling large volume coverage for conference spaces up to 120 square meters, packing powerful output in a small package.

▼ FLEXIBLE AND CONVENIENT

Deployment The active design eliminates the need for an external amplifier, requiring just one audio cable to connect to the conference host for quick setup. Its detachable design allows for separate or unified deployment. With support for tabletop placement or wall mounting, it meets diverse installation needs in various conference room scenarios.

SPECIFICATIONS

▼ SPEAKER

| | |
|---------------------------|---------------------------------------|
| Rated Output Power | (10W + 15W) x 2 (+/- 0.5 dB, 10% THD) |
| Speaker Impedance | 4Ω |
| Frequency Response | 110Hz - 16kHz / ±3 dB |
| Loudness | 50dB SPL @ 1W, 95dB SPL @ 7.5W |
| Signal-to-noise Ratio | ≥65dB |
| Total Harmonic Distortion | 300Hz - 10kHz < 1% @ 7.5W |

▼ GENERAL SPECIFICATION

| | |
|-----------------------|-------------------------------------|
| Input Voltage | DC 18V |
| Input Current | 2A |
| Operating Temperature | -10°C ~ 40°C |
| Storage Temperature | -40°C ~ 60°C |
| Power Consumption | 30W |
| MTBF | >30000H |
| Main Unit | 408.5mm (W) × 73mm (D) × 90mm (H) |
| Secondary Unit | 402.5mm (W) × 73mm (D) × 90mm (H) |
| Dimension | 805mm (W) × 73mm (D) × 90mm (H) |
| Weight | 1.5kg |
| Product Certification | CE, GS, CB, FCC, ETL, SAA, RCM, PSE |

▼ INTERFACE

| | |
|-------------|---|
| Audio Input | 1x Line In, 3.5mm Audio Interface |
| RCA | 1x RCA, Dual Channel, (Connect the sub-speaker) |
| Power | DC 18V |

▼ INSTALLATION MODE

| | |
|----------------------|--|
| Installation Methods | Wall-mounted, Desktop placement |
| Combined Mode | Separate main and auxiliary units, Integrated main and auxiliary units |



INTERFACE

- 1 — DC IN
- 2 — AUX
- 3 — RCA, Connect the sub-speaker
- 4 — RCA, Connect the main-speaker

